

LA PAPERNA AIR COMPRESSORS



Catalogo
Catalogue

2018



QUALITY
MADE IN ITALY

POWERED by
HONDA™



Compressori a pistoni
Piston compressors



Quarantacinque anni d'esperienza nel campo nell'aria compressa al servizio della nostra clientela.

I compressori **"LA PADANA"** sono stati progettati e realizzati per soddisfare le richieste più esigenti: facilità d'uso e manutenzione, silenziosità, massima efficienza energetica, per fornire in modo affidabile ed economico aria compressa della miglior qualità.

Queste richieste sono totalmente soddisfatte grazie al risultato di una progettazione e di una costruzione accurata, capace di integrare e ottimizzare le più avanzate soluzioni tecniche in tutte le aree cruciali come gruppi vite, controller basati su PC industriali, motori ad elevata efficienza, concetti innovativi di ventilazione e raffreddamento, insonorizzazione, manutenzione e service.

La nostra gamma di produzione è disponibile sul mercato nazionale e internazionale con potenze da 2,2kW a 132kW, offerte in un ampio ventaglio di opzioni standard e speciali.



Forty-five years of experience in the compressed air at the service of our customers.

The **"LA PADANA"** compressors are designed and manufactured to meet the most demanding requirements: easy operation and maintenance, quiet operation, maximum energy efficiency, to provide a reliable and economical compressed air of the highest quality.

These requests are totally fulfilled thanks to the result of a design and careful construction, able to integrate and optimize the most advanced solutions techniques in all critical areas such as screw units, controllers based on industrial PC, high engines efficiency, innovative ventilation and cooling concepts, soundproofing, maintenance and service.

Our product range is available on the national and international market with capacities from 2.2kW to 132kW, offered in a wide range of standard and special options.

I compressori prodotti da LA PADANA sono distribuiti in tutto il mondo tramite un'efficiente rete di rivenditori

The compressors manufactured by LA PADANA are distributed aal over the world through efficient rataliers.



QUALITY and CERTIFICATION



La nostra priorità è la QUALITÀ dei nostri prodotti, sono infatti 100% Made in Italy.

Tutti i compressori della PADANA Air Compressors sono prodotti in conformità a:



- ✓ 2006/42/CE Direttiva Macchine;
- ✓ 2014/29/CE Direttiva recipienti semplici a pressione;
- ✓ 2014/35/UE Direttiva bassa tensione;
- ✓ 2014/30/UE Compatibilità elettro magnetica;
- ✓ EN ISO 3746 potenza sonora;
- ✓ IEC 60034-2-1 motori elettrici



Certificazioni di qualità dei nostri prodotti:

- ✓ EC Direttive Europee;
- ✓ Certificazione Russa GOST-R;
- ✓ Certificazione Asme per i serbatoi d'aria compressa
- ✓ Certificazione Australiana per i serbatoi d'aria compressa



Our priority is the QUALITY of our products, they are 100% made in Italy.

All LA PADANA air compressors are manufactured in compliance with:



- ✓ 2006/42/CE Machinery Directive;
- ✓ 2014/29/CE simple pressure Vessels Directive;
- ✓ 2014/35/UE Low Voltage Directive;
- ✓ 2014/30/UE Electromagnetic compatibility;
- ✓ EN ISO 3746 Noise level;
- ✓ IEC 60034-2-1 Electric Motors



Our products quality certification:

- ✓ EC European Directives;
- ✓ Russian GOST-R Certification;
- ✓ Asme certification for compressed air tank
- ✓ Australian certification for compressed air tank



Indice Generale

General Index

EASY.....	Pag. 4
INDUSTRIAL.....	Pag. 14
INDUSTRIAL SILENT LS.....	Pag. 27
PAB.....	Pag. 37
PAS.....	Pag. 39
MOTO KOMP.....	Pag. 41
GENAIR.....	Pag. 47
PRO AIR SUPER SILENT.....	Pag. 50
PRO AIR OILFREE SILENT.....	Pag. 52
DENTAL.....	Pag. 54
COMPRESSORS PUMPS.....	Pag. 57

TABELLA DI CONVERSIONE

1 cfm = 28,317 l/min
 $^{\circ}\text{F} = ^{\circ}\text{C} \times 9/5 + 32$
 1 psi = 0,068 bar
 1 Pa = 0,00001 bar
 1 lbs = 0,45 kg
 1 US gall = 3,78 lt

CONVERSION TABLE:

1 m³/min = 35,314 cfm
 $\text{C}^{\circ} = (\text{F}^{\circ} - 32) \times 5/9$
 1 bar = 14,50 psi
 1 bar = 100 kPa
 1 kg = 2,2 lbs
 1 lt = 0,26 gall (USA)



serie/series:

EASY-D

**QUALITY
MADE IN ITALY**

COMPRESSORI SEMIPROFESSIONALI - MONOSTADIO TRASMISSIONE DIRETTA COASSIALE - LUBRIFICATI OIL - LUBRIFICATED SINGLE-STAGE SEMI-PROFESSIONAL COMPRESSORS WITH DIRECT COAXIAL DRIVE



ED 3/1,5 M

Max 76 dB(A)



ED 25/2 M



ED 10/1,5 M

ED SERIES

Codice	Modello	Pressione		N. Cilindri	Potenza Nominale Motore		Aria Aspirata			Serb.	Voltaggio	Giri/min	Peso	Dimensione Imballo
Cod.	Model	Pressure		N. Cylinders	Nominal Motor Rating		Air outflow			Tank	Voltage	r.p.m.	Weight	Packaging Dimension
-	Series	bar	p.s.i.	Cil.	Hp	kW	lt./min.	CFM	m3/h	lt.	Volt/ph/hz	r.p.m.	kg.	cm
COMPRESSORI MONOFASI FISSI - FIXED SINGLE PHASE COMPRESSORS														
91013	ED 6/1,5M	8	116	1	1,5	1,1	190	7	11,4	6 F	230/1/50	2800	20	47x32x53
COMPRESSORI MONOFASI CARRELLATI - PORTABLE SINGLE PHASE COMPRESSORS														
91014	ED 10/1,5M	8	116	1	1,5	1,1	190	7	11,4	10 C	230/1/50	2800	25	42x36x70
91016	ED 25/2M	8	116	1	2	1,5	240	9	14,4	25 C	230/1/50	2800	27	60x28x59
91017	ED 50/2M	8	116	1	2	1,5	240	9	14,4	50 C	230/1/50	2800	35	85x38x73
91011	EDV 50/3M	10	145	2V	3	2,2	340	12	20,4	50 C	230/1/50	2800	54	85x38x73
91012	EDV 100/3M	10	145	2V	3	2,2	340	12	20,4	100 C	230/1/50	2800	62	108x40x79

serie/series:

EASY- C

**QUALITY
MADE IN ITALY**

COMPRESSORI SEMIPROFESSIONALI - MONOSTADIO TRASMISSIONE A CINGHIA - LUBRIFICATI
OIL - LUBRICATED SINGLE-STAGE SEMI-PROFESSIONAL COMPRESSORS WITH DIRECT COAXIAL DRIVE

Max 82 dB(A)



TT 22 MT



EDV 11TT/3 M

Codice	Modello	Pressione		N. Cilindri	Potenza Nominale Motore		Aria Aspirata			Serb.	Voltaggio	Giri/min	Peso	Dimensione Imballo
Cod.	Model	Pressure		N. Cylinders	Nominal Motor Rating		Air outflow			Tank	Voltage	r.p.m.	Weight	Packaging Dimension
-	Series	bar	p.s.i.	Cil.	Hp	kW	lt./min.	CFM	m3/h	lt.	Volt/ph/hz	r.p.m.	kg.	cm
COMPRESSORI MONOFASI CARRELLATI - PORTABLE SINGLE PHASE COMPRESSORS														
91100	TT/2M MT 20 2011	10	145	2	2	1,5	190	7	11,4	11+11 C	230/1/50	1000	55	69x88x88
91101	TT/3M MT 3017	10	145	2	3	2,2	340	12	20,4	11+11 C	230/1/50	1250	60	69x88x88
91103	TT/7,5T MT 7530/1000	11	160	2B	7,5	5,5	720	25	43,2	17+17 C	400/3/50	1000	135	77x117x102

serie/series:

EASY- C

**QUALITY
MADE IN ITALY**

COMPRESSORI PROFESSIONALI - MONOSTADIO TRASMISSIONE A CINGHIA - LUBRIFICATI
OIL - LUBRIFICATED SINGLE-STAGE PROFESSIONAL COMPRESSORS WITH BELT DRIVE

Max 76 dB(A)



ECW 50/2M



ECW 100/2M

ECW SERIES - 2 HP

Codice	Modello		Pressione		N. Cilindri	Potenza Nominale Motore		Aria Aspirata			Serb.	Voltaggio	Giri/min	Peso	Dimensione Imballo
Cod.	Model		Pressure		N. Cylinders	Nominal Motor Rating		Air outflow			Tank	Voltage	r.p.m.	Weight	Packaging Dimension
-	Series	Comp. Pump	bar	p.s.i.	Cil.	Hp	kW	lt./min.	CFM	m3/h	lt.	Volt/ph/hz	r.p.m.	kg.	cm
COMPRESSORI MONOFASI CARRELLATI - PORTABLE SINGLE PHASE COMPRESSORS															
91030.0.0	ECW 25/2M	NG 2.8 SC*	10	145	2	2	1,5	190	7	11,4	25 C	230/1/50	1400	38	77x35x69
91031.0.0	ECW 50/2M	NG 2.8 SC*									50 C	230/1/50		41	85x38x73
91032.0.0	ECW 100/2M	NG 2.8 SC*									100 C	230/1/50		53	100x40x80
91032.1.1	ECW 150/2M	NG 2.8 SC*									150 C	230/1/50		71	132x45x92

*SC: senza collettore / without aftercooler

serie/series:

EASY- C

**QUALITY
MADE IN ITALY**

COMPRESSORI PROFESSIONALI - MONOSTADIO TRASMISSIONE A CINGHIA - LUBRIFICATI
OIL - LUBRICATED SINGLE-STAGE PROFESSIONAL COMPRESSORS WITH BELT DRIVE



Max 76 dB(A)

ECW 100/3M



ECW 200/3M

ECW SERIES - 3 HP

Codice	Modello	Pressione	N. Cilindri	Potenza Nominale Motore	Aria Aspirata	Serb.	Voltaggio	Giri/min	Peso	Dimensione Imballo					
Cod.	Model	Pressure	N. Cylinders	Nominal Motor Rating	Air outflow	Tank	Voltage	r.p.m.	Weight	Packaging Dimension					
-	Series	Comp. Pump	bar	p.s.i.	Cil.	Hp	kW	lt./min.	CFM	m3/h	lt.	Volt/ph/hz	r.p.m.	kg.	cm
COMPRESSORI MONOFASI CARRELLATI - PORTABLE SINGLE PHASE COMPRESSORS															
91030.0.1	ECW 25/3M	NG 3									25 C	230/1/50		41	77x35x69
91046.0.0	ECW 50/3M	NG 3									50 C	230/1/50		44	85x38x73
91042.0.0	ECW 100/3M	NG3	10	145	2	3	2,2	295	10,4	17,7	100 C	230/1/50	1620	56	100x40x80
91043.0.0	ECW 150/3M	NG3									150 C	230/1/50		74	132x45x92
91044.0.0	ECW 200/3M	NG3									200 C	230/1/50		89	145x46x94
COMPRESSORI TRIFASE CARRELLATI - PORTABLE THREE PHASES COMPRESSORS															
91036.0.0	ECW 100/3T	NG 3									100 C	400/3/50		56	100x40x80
91040.0.0	ECW 150/3T	NG 3	10	145	2	3	2,2	295	10,4	17,7	150 C	400/3/50	1620	74	132x45x92
91037.0.0	ECW 200/3T	NG3									200 C	400/3/50		89	145x46x94

serie/series:

EASY- C

**QUALITY
MADE IN ITALY**

COMPRESSORI PROFESSIONALI - MONOSTADIO TRASMISSIONE A CINGHIA - LUBRIFICATI OIL - LUBRIFICATED SINGLE-STAGE PROFESSIONAL COMPRESSORS WITH BELT DRIVE



EC 25/2 M

Max 76 dB(A)



EC 50/2 M



EC 100/2 M

EC SERIES - 2 HP

Codice	Modello	Pressione	N. Cilindri	Potenza Nominale Motore	Aria Aspirata	Serb.	Voltaggio	Giri/min	Peso	Dimensione Imballo
Cod.	Model	Pressure	N. Cilinders	Nominal Motor Rating	Air outflow	Tank	Voltage	r.p.m.	Weight	Packaging Dimension
-	Series Comp.Pump	bar p.s.i.	Cil.	Hp kW	ft./min. CFM m3/h	lt.	Volt/ph/hz	r.p.m.	kg.	cm
COMPRESSORI MONOFASI CARRELLATI - PORTABLE SINGLE PHASE COMPRESSORS										
91030	EC 25/2M NG 2.8	10 145	2	2 1,5	253 8,9 15,2	25 C	230/1/50	1400	40	77x35x69
91031	EC 50/2M NG 2.8					50 C	230/1/50		48	85x38x73
91032	EC 100/2M NG2.8					100 C	230/1/50		62	100x40x80
91032.1.0	EC 150/2M NG2.8					150 C	230/1/50		71	132x45x92
COMPRESSORI TRIFASE CARRELLATI - PORTABLE THREE PHASES COMPRESSORS										
91034	EC 50/2T NG 2.8	10 145	2	2 1,5	253 8,9 15,2	50 C	400/3/50	1400	48	85x38x73
91035	EC 100/2T NG 2.8					100 C	400/3/50		62	100x40x80
91032.1.0.1	EC 150/2T NG2.8					150 C	400/3/50		71	132x45x92

serie/series:

EASY- C

**QUALITY
MADE IN ITALY**

COMPRESSORI PROFESSIONALI - MONOSTADIO TRASMISSIONE A CINGHIA - LUBRIFICATI
OIL - LUBRIFICATED SINGLE-STAGE PROFESSIONAL COMPRESSORS WITH BELT DRIVE

Max 75 dB(A)



EC 200/3 T

EC SERIES - 3 HP

Codice	Modello	Pressione	N. Cilindri	Potenza Nominale Motore	Aria Aspirata	Serb.	Voltaggio	Giri/min	Peso	Dimensione Imballo					
Cod.	Model	Pressure	N. Cilinders	Nominal Motor Rating	Air outflow	Tank	Voltage	r.p.m.	Weight	Packaging Dimension					
-	Series	Comp. Pump	bar	p.s.i.	Cil.	Hp	kW	lt./min.	CFM	m3/h	lt.	Volt/ph/hz	r.p.m.	kg.	cm
COMPRESSORI MONOFASI CARRELLATI - PORTABLE SINGLE PHASE COMPRESSORS															
91046	EC 50/3M	NG 3									50 C	230/1/50		57	85x38x73
91042	EC 100/3M	NG 3									100 C	230/1/50		67	100x40x80
91043	EC150/3M	NG3	10	145	2	3	2,2	315	11,1	18,9	150 C	230/1/50	1400	86	132x45x92
91044	EC200/3M	NG3									200 C	230/1/50		96	145x46x94
91045	EC270/3M	NG3									270 C	230/1/50		112	155x57x112
COMPRESSORI TRIFASE CARRELLATI - PORTABLE THREE PHASES COMPRESSORS															
91047	EC 50/3T	NG 3									50 C	400/3/50		57	85x38x73
91036	EC 100/3T	NG 3									100 C	400/3/50		67	100x40x80
91040	EC 150/3T	NG3	10	145	2	3	2,2	315	11,1	18,9	150 C	400/3/50	1400	86	132x45x92
91037	EC 200/3T	NG3									200 C	400/3/50		96	145x46x94
91041	EC 270/3T	NG3									270 C	400/3/50		112	155x57x112

serie/series:

EASY- C

**QUALITY
MADE IN ITALY**

COMPRESSORI PROFESSIONALI - MONOSTADIO TRASMISSIONE A CINGHIA - LUBRIFICATI
OIL - LUBRIFICATED SINGLE-STAGE PROFESSIONAL COMPRESSORS WITH BELT DRIVE

Max 74 dB(A)



EC 270/4 T

EC SERIES - 4 HP

Codice	Modello		Pressione		N. Cilindri	Potenza Nominale Motore			Aria Aspirata			Serb.	Voltaggio	Giri/min	Peso	Dimensione Imballo
Cod.	Model		Pressure		N. Cylinders	Nominal Motor Rating			Air outflow			Tank	Voltage	r.p.m.	Weight	Packaging Dimension
-	Series	Comp. Pump	bar	p.s.i.	Cil.	Hp	kW	lt./min.	CFM	m3/h	lt.	Volt/ph/hz	r.p.m.	kg.	cm	
COMPRESSORI TRIFASE CARRELLATI - PORTABLE THREE PHASES COMPRESSORS																
91048	EC 100/4T	NG 4	10	145	2	4	3	541	19,1	32,5	100 C	400/3/50	1400	98	100x40x80	
91049	EC 150/4T	NG 4									150 C	400/3/50		113	132x45x92	
91038	EC200/4T	NG4									200 C	400/3/50		123	145x46x94	
91039	EC270/4T	NG4									270 C	400/3/50		139	155x57x112	
COMPRESSORI TRIFASE FISSI - FIXED THREE PHASES COMPRESSORS																
91051	EC 200/4T	NG 4	10	145	2	4	3	541	19,1	32,5	200 F	400/3/50	1400	123	145x46x94	
91052	EC270/4T	NG 4									270 F	400/3/50		139	155x57x112	

serie/series:

EASY- C

**QUALITY
MADE IN ITALY**

COMPRESSORI PROFESSIONALI - BISTADIO TRASMISSIONE A CINGHIA - LUBRIFICATI
OIL - LUBRICATED DOUBLE-STAGE PROFESSIONAL COMPRESSORS WITH BELT DRIVE

Max 81 dB(A)



EC 270/5,5 T

EC SERIES - 5,5 HP

Codice	Modello	Pressione	N. Cilindri	Potenza Nominale Motore	Aria Aspirata	Serb.	Voltaggio	Giri/min	Peso	Dimensione Imballo					
Cod.	Model	Pressure	N. Cylinders	Nominal Motor Rating	Air outflow	Tank	Voltage	r.p.m.	Weight	Packaging Dimension					
-	Series	Comp. Pump	bar	p.s.i.	Cil.	Hp	kW	lt./min.	CFM	m3/h	lt.	Volt/ph/hz	r.p.m.	kg.	cm
COMPRESSORI TRIFASE CARRELLATI - PORTABLE THREE PHASES COMPRESSORS															
91054	EC 200/5,5T	NG 5									200 C	400/3/50		139	145x46x94
91055	EC 270/5,5T	NG 5	10	145	2	5,5	4	606	21,4	36,4	270 C	400/3/50	1400	155	155x57x112
91056	EC 500/5,5T	NG 5									500 C	400/3/50		215	203x68x131
COMPRESSORI TRIFASE FISSI - FIXED THREE PHASES COMPRESSORS															
91060	EC 200/5,5T	NG 5									200 F	400/3/50		139	145x46x94
91061	EC 270/5,5T	NG 5	10	145	2	5,5	4	606	21,4	36,4	270 F	400/3/50	1400	155	155x57x112
91062	EC 500/5,5T	NG 5									500 F	400/3/50		215	203x68x131

serie/series:

EASY- C

**QUALITY
MADE IN ITALY**

COMPRESSORI PROFESSIONALI - MONOSTADIO TRASMISSIONE A CINGHIA - LUBRIFICATI
OIL - LUBRIFICATED SINGLE-STAGE PROFESSIONAL COMPRESSORS WITH BELT DRIVE

Max 75 dB(A)



EC VERTICAL SERIES

Codice	Modello		Pressione		N. Cilindri	Potenza Nominale Motore		Aria Aspirata			Serb.	Voltaggio	Giri/min	Peso	Dimensione Imballo
Cod.	Model		Pressure		N. Cilinders	Nominal Motor Rating		Air outflow			Tank	Voltage	r.p.m.	Weight	Packaging Dimension
-	Series	Comp. Pump	bar	p.s.i.	Cil.	Hp	kW	lt./min.	CFM	m3/h	lt.	Volt/ph/hz	r.p.m.	kg.	cm
COMPRESSORI VERTICALI MONOFASE FISSI - VERTICAL FIXED SINGLE PHASES COMPRESSORS															
91096	EC 150/3M	NG 3	10	145	2	3	2,2	315	11,1	18,9	150 V	230/1/50	1400	94	50x70x148
COMPRESSORI VERTICALI TRIFASE FISSI - VERTICAL FIXED THREE PHASES COMPRESSORS															
91096.1	EC 150/3T	NG 3	10	145	2	3	2,2	315	11,1	18,9	150 V	230/1/50	1400	97	50x70x148
91097	EC 150/4T	NG 4				4	3	541	19,1	32,5	150 V	400/3/50		165	50x70x148



serie/series:

INDUSTRIAL

PRDV

COMPRESSORI INDUSTRIALI - BISTADIO - TRASMISSIONE DIRETTA COASSIALE - LUBRIFICATI OIL - LUBRICATED DOUBLE-STAGE INDUSTRIAL COMPRESSORS WITH COAXIAL DIRECT DRIVE

**QUALITY
MADE IN ITALY**

Max 75 dB(A)



PRDV 50/2T



PRDV 50/2T

PRDV SERIES

Codice	Modello	Pressione		N. Cilindri	Potenza Nominale Motore		Aria Aspirata			Serb.	Voltaggio	Giri/min	Peso	Dimensione Imballo
Cod.	Model	Pressure		N. Cylinders	Nominal Motor Rating		Air outflow			Tank	Voltage	r.p.m.	Weight	Packaging Dimension
-	Series	bar	p.s.i.	Cil.	Hp	kW	lt./min.	CFM	m3/h	lt.	Volt/ph/hz	r.p.m.	kg.	cm
COMPRESSORI MONOFASE CARRELLATI - PORTABLE SINGLE PHASES COMPRESSORS														
23011	PRDV 11+11/2M	10	145	2V	2	1,5	250	9	15	11+11 C	230/1/50	1400	43	70x50x70
23021	PRDV 50/2M									50 C	230/1/50		60	85x38x73
23031	PRDV 100/2M									100 C	230/1/50		67	108x40x79
COMPRESSORI TRIFASE CARRELLATI - PORTABLE THREE PHASES COMPRESSORS														
23012	PRDV 11+11/2T	10	145	2V	2	1,5	250	9	15	11+11 C	400/3/50	1400	43	70x50x70
23022	PRDV 50/2T									50 C	400/3/50		60	85x38x73
23032	PRDV 100/2T									100 C	400/3/50		67	108x40x79
COMPRESSORI TRIFASE FISSI - FIXED THREE PHASES COMPRESSORS														
24022	PRDV 50/2T	10	145	2V	2	1,5	250	9	15	50 F	400/3/50	1400	60	85x38x73
24032	PRDV 50/2T									50 F	400/3/50		67	108x40x79

serie/series:

INDUSTRIAL

PR

COMPRESSORI INDUSTRIALI - MONOSTADIO - TRASMISSIONE A CINGHIA - LUBRIFICATI
OIL - LUBRICATED SINGLE-STAGE INDUSTRIAL COMPRESSORS WITH BELT DRIVE

**QUALITY
MADE IN ITALY**



PR 50/2M



PR 100/2M

K SERIES



Testata a basso numero di giri
Comp. pump with low rpm

PR SERIES - 2 HP

Max 76 dB(A)

Codice	Modello		Pressione		N. Cilindri	Potenza Nominale Motore		Aria Aspirata			Serb.	Voltaggio	Giri/min	Peso	Dimensione Imballo
Cod.	Model		Pressure		N. Cylinders	Nominal Motor Rating		Air outflow			Tank	Voltage	r.p.m.	Weight	Packaging Dimension
-	Series	Comp. Pump	bar	p.s.i.	Cil.	Hp	kW	lt./min.	CFM	m3/h	lt.	Volt/ph/hz	r.p.m.	kg.	cm
COMPRESSORI CARRELLATI SERIE "NG" - PORTABLE SERIES "NG" COMPRESSORS															
20302.NG2.8	PR 50/2M	NG 2.8 SC*	10	145	2	2	1,5	253	8,9	15,2	50 C	230/1/50	1400	54	85x38x73
20402.NG2.8	PR 100/2M	NG 2.8 SC*									100 C	230/1/50		69	100x40x80
20303.NG2.8	PR50/2T	NG2.8 SC*	10	145	2	2	1,5	253	8,9	15,2	50 C	400/3/50	1400	54	85x38x73
20403.NG2.8	PR100/2T	NG2.8 SC*									100 C	400/3/50		69	100x40x80
COMPRESSORI CARRELLATI SERIE "K" - PORTABLE SERIES "K" COMPRESSORS															
20302.K11	PR 50/2M	K 11	10	145	2	2	1,5	260	9,2	15,6	50 C	230/1/50	1180	54	85x38x73
20402.K11	PR100/2M	K 11									100 C	230/1/50		69	100x40x80
20303.K11	PR50/2T	K11	10	145	2	2	1,5	260	9,2	15,6	50 C	400/3/50	1180	54	85x38x73
20403.K11	PR 100/2T	K11									100 C	400/3/50		69	100x40x80

*SC: senza collettore / without aftercooler

serie/series:

INDUSTRIAL

PR

COMPRESSORI INDUSTRIALI - MONOSTADIO - TRASMISSIONE A CINGHIA - LUBRIFICATI OIL - LUBRICATED SINGLE-STAGE INDUSTRIAL COMPRESSORS WITH BELT DRIVE

**QUALITY
MADE IN ITALY**



PR 200/3T



K SERIES

Testata a basso numero di giri
Comp. pump with low rpm

Con serbatoio da 270 e 500 lt.
With 270 and 500 lt. air tank

PR SERIES - 3 HP

Max 75 dB(A)

Codice	Modello	Pressione	N. Cilindri	Potenza Nominale Motore	Aria Aspirata	Serb.	Voltaggio	Giri/min	Peso	Dimensione Imballo					
Cod.	Model	Pressure	N. Cilinders	Nominal Motor Rating	Air outflow	Tank	Voltage	r.p.m.	Weight	Packaging Dimension					
-	Series	Comp. Pump	bar	p.s.i.	Cil.	Hp	kW	lt./min.	CFM	m3/h	lt.	Volt/ph/hz	r.p.m.	kg.	cm
COMPRESSORI CARRELLATI CON TESTATA "NG" - PORTABLE COMPRESSORS WITH "NG" COMPRESSOR PUMP															
20304.NG3	PR 50/3M	NG 3									50 C	230/1/50		67	85x38x73
20404.NG3	PR 100/3M	NG 3									100 C	230/1/50		73	100x40x80
20504.NG3	PR 150/3M	NG3	10	145	2	3	2,2	315	11,1	18,9	150 C	230/1/50	1400	82	132x45x92
20604.NG3	PR 200/3M	NG3									200 C	230/1/50		96	145x50x107
20704.NG3	PR 270/3M	NG 3									270 C	230/1/50		113	155x57x118
20305.NG3	PR 50/3T	NG 3									50 C	400/3/50		67	85x38x73
20405.NG3	PR 100/3T	NG 3									100 C	400/3/50		73	100x40x80
20505.NG3	PR 150/3T	NG 3	10	145	2	3	2,2	315	11,1	18,9	150 C	400/3/50	1400	82	132x45x92
20605.NG3	PR 200/3T	NG 3									200 C	400/3/50		96	145x50x107
20705.NG3	PR 270/3T	NG 3									270 C	400/3/50		113	155x57x118
COMPRESSORI CARRELLATI CON TESTATA "K" - PORTABLE COMPRESSORS WITH "K" COMPRESSOR PUMP															
20304.K17	PR 50/3M	K 17									50 C	230/1/50		67	85x38x73
20404.K17	PR 100/3M	K 17									100 C	230/1/50		73	100x40x80
20504.K17	PR 150/3M	K17	10	145	2	3	2,2	400	14,1	24	150 C	230/1/50	1250	82	132x45x92
20604.K17	PR 200/3M	K17									200 C	230/1/50		96	145x50x107
20704.K17	PR 270/3M	K 17									270 C	230/1/50		113	155x57x118
20305.K17	PR 50/3T	K 17									50 C	400/3/50		67	85x38x73
20405.K17	PR 100/3T	K 17									100 C	400/3/50		73	100x40x80
20505.K17	PR 150/3T	K 17	10	145	2	3	2,2	400	14,1	24	150 C	400/3/50	1250	82	132x45x92
20605.K17	PR 200/3T	K 17									200 C	400/3/50		96	145x50x107
20705.K17	PR 270/3T	K 17									270 C	400/3/50		113	155x57x118

serie/series:

INDUSTRIAL

PR

COMPRESSORI INDUSTRIALI - MONOSTADIO - TRASMISSIONE A CINGHIA - LUBRIFICATI OIL - LUBRICATED SINGLE-STAGE INDUSTRIAL COMPRESSORS WITH BELT DRIVE

**QUALITY
MADE IN ITALY**



PR 200/4T



Con serbatoio da 270 e 500 lt.
With 270 and 500 lt. air tank



K SERIES

Testata a basso numero di giri
Comp. pump with low rpm

Max 74 dB(A)

Codice	Modello	Pressione	N. Cilindri	Potenza Nominale Motore	Aria Aspirata	Serb.	Voltaggio	Giri/min	Peso	Dimensione Imballo					
Cod.	Model	Pressure	N. Cylinders	Nominal Motor Rating	Air outflow	Tank	Voltage	r.p.m.	Weight	Packaging Dimension					
-	Series	Comp. Pump	bar	p.s.i.	Cil.	Hp	kW	lt./min.	CFM	m3/h	lt.	Volt/ph/hz	r.p.m.	kg.	cm
COMPRESSORI CARRELLATI CON TESTATA "NG" - PORTABLE COMPRESSORS WITH "NG" COMPRESSOR PUMP															
20406.NG4	PR 100/4T	NG 4	10	145	2	4	3	541	19,1	32,5	100 C	400/3/50	1400	73	100x40x80
20506.NG4	PR 150/4T	NG 4									150 C	400/3/50		82	132x45x92
20606.NG4	PR200/4T	NG4									200 C	400/3/50		96	145x50x107
20706.NG4	PR270/4T	NG4									270 C	400/3/50		113	155x57x118
COMPRESSORI FISSI CON TESTATA "NG" - FIXED COMPRESSORS WITH "NG" COMPRESSOR PUMP															
21406.NG4	PR 100/4T	NG 4	10	145	2	4	3	541	19,1	32,5	100 F	400/3/50	1400	73	100x40x80
21506.NG4	PR 150/4T	NG 4									150 F	400/3/50		82	132x45x92
21606.NG4	PR 200/4T	NG 4									200 F	400/3/50		96	145x50x107
21706.NG4	PR 270/4T	NG 4									270 F	400/3/50		113	155x57x118
COMPRESSORI CARRELLATI CON TESTATA "K" - PORTABLE COMPRESSORS WITH "K" COMPRESSOR PUMP															
20406.K18	PR 100/4T	K 18	10	145	2	4	3	540	19,1	32,4	100 C	400/3/50	1100	73	100x40x80
20506.K18	PR 150/4T	K 18									150 C	400/3/50		82	132x45x92
20606.K18	PR200/4T	K18									200 C	400/3/50		96	145x50x107
20706.K18	PR270/4T	K18									270 C	400/3/50		113	155x57x118
COMPRESSORI FISSI CON TESTATA "K" - FIXED COMPRESSORS WITH "K" COMPRESSOR PUMP															
21406.K18	PR 100/4T	K 18	10	145	2	4	3	540	19,1	32,4	100 F	400/3/50	1100	73	100x40x80
21506.K18	PR 150/4T	K 18									150 F	400/3/50		82	132x45x92
21606.K18	PR 200/4T	K 18									200 F	400/3/50		96	145x50x107
21706.K18	PR 270/4T	K 18									270 F	400/3/50		113	155x57x118

serie/series:

INDUSTRIAL

PR

COMPRESSORI INDUSTRIALI - BISTADIO - TRASMISSIONE A CINGHIA - LUBRIFICATI
OIL - LUBRICATED DOUBLE-STAGE INDUSTRIAL COMPRESSORS WITH BELT DRIVE

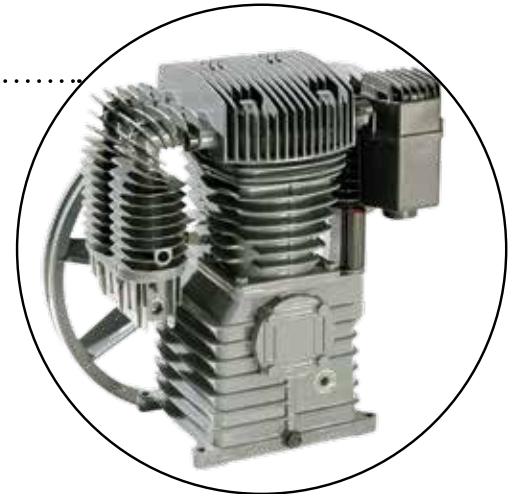
**QUALITY
MADE IN ITALY**



PR 270/5,5T



Con serbatoio da 270 e 500 lt.
With 270 and 500 lt. air tank



K SERIES

Testata a basso numero di giri
Comp. pump with low rpm

PR SERIES - 5,5 HP

Max 81 dB(A)

Codice	Modello	Pressione	N. Cilindri	Potenza Nominale Motore	Aria Aspirata	Serb.	Voltaggio	Giri/min	Peso	Dimensione Imballo			
Cod.	Model	Pressure	N. Cilinders	Nominal Motor Rating	Air outflow	Tank	Voltage	r.p.m.	Weight	Packaging Dimension			
-	Series Comp. Pump	bar p.s.i.	Cil.	Hp kW	lt./min. CFM m3/h	lt.	Volt/ph/hz	r.p.m.	kg.	cm			
COMPRESSORI CARRELLATI CON TESTATA "NG" - PORTABLE COMPRESSORS WITH "NG" COMPRESSOR PUMP													
20708.NG5	PR 270/5,5T	NG 5	2	5,5	4	606	21,4	36,4	270 C	400/3/50	1400	170	155X57X118
20808.NG5	PR 500/5,5T	NG 5							500 C	400/3/50		215	203X70X131
COMPRESSORI FISSI CON TESTATA "NG" - FIXED COMPRESSORS WITH "NG" COMPRESSOR PUMP													
21708.NG5	PR 270/5,5T	NG 5	2	5,5	4	606	21,4	36,4	270 F	400/3/50	1400	170	155X57X118
21808.NG5	PR 500/5,5T	NG 5							500 F	400/3/50		215	203X70X131
21808.NG5.1	PR 500/5,5 ST	NG 5	2	5,5	4	606	21,4	36,4	500 F	400/3/50	1400	225	203X70X131
COMPRESSORI CARRELLATI CON TESTATA "K" - PORTABLE COMPRESSORS WITH "K" COMPRESSOR PUMP													
20708.K28	PR 270/5,5T	K 28	2	5,5	4	662	23,4	39,7	270 C	400/3/50	1290	170	155X57X118
20808.K28	PR 500/5,5	K 28							500 C	400/3/50		215	203X70X131
COMPRESSORI FISSI CON TESTATA "K" - FIXED COMPRESSORS WITH "K" COMPRESSOR PUMP													
21708.K28	PR 270/5,5T	K 28	2	5,5	4	662	23,4	39,7	270 F	400/3/50	1290	170	155X57X118
21808.K28	PR 500/5,5	K 28							500 F	400/3/50		215	203X70X131
21808.K28.1	PR 500/5,5 ST	K 28	2	5,5	4	662	23,4	39,7	500 F	400/3/50	1290	225	203X70X131

serie/series:

INDUSTRIAL

PR

COMPRESSORI INDUSTRIALI - BISTADIO - TRASMISSIONE A CINGHIA - LUBRIFICATI OIL - LUBRICATED DOUBLE-STAGE INDUSTRIAL COMPRESSORS WITH BELT DRIVE

**QUALITY
MADE IN ITALY**



PR 270/5,5T



K SERIES

Testata a basso numero di giri
Comp. pump with low rpm



Con serbatoio da 270 e 500 lt.
With 270 and 500 lt. air tank

Max 81 dB(A)

Codice	Modello		Pressione		N. Cilindri	Potenza Nominale Motore		Aria Aspirata			Serb.	Voltaggio	Giri/min	Peso	Dimensione Imballo
Cod.	Model		Pressure		N. Cylinders	Nominal Motor Rating		Air outflow			Tank	Voltage	r.p.m.	Weight	Packaging Dimension
-	Series	Comp. Pump	bar	p.s.i.	Cil.	Hp	kW	lt./min.	CFM	m3/h	lt.	Volt/ph/hz	r.p.m.	kg.	cm
COMPRESSORI CARRELLATI CON TESTATA "NG" - PORTABLE COMPRESSORS WITH "NG" COMPRESSOR PUMP															
20709.NG6	PR 270/7,5T	NG 6	10	145	2	7,5	5,5	798	28,2	47,9	270 C	400/3/50	1400	185	155X57X118
20809.NG6	PR 500/7,5T	NG 6									500 C	400/3/50		215	203X70X131
COMPRESSORI FISSI CON TESTATA "NG" - FIXED COMPRESSORS WITH "NG" COMPRESSOR PUMP															
21709.NG6	PR 270/7,5T	NG 6	10	145	2	7,5	5,5	798	28,2	47,9	270 F	400/3/50	1400	185	155X57X118
21809.NG6	PR 500/7,5T	NG 6									500 F	400/3/50		215	203X70X131
21709.NG6.1	PR 270/7,5T ST	NG 6	10	145	2	7,5	5,5	798	28,2	47,9	270 F	400/3/50	1400	200	155X57X118
21809.NG6.1	PR 500/7,5T ST	NG 6									500 F	400/3/50		230	203X70X131
COMPRESSORI CARRELLATI CON TESTATA "K" - PORTABLE COMPRESSORS WITH "K" COMPRESSOR PUMP															
20709.K30	PR 270/7,5T	K 30	10	145	2	7,5	5,5	872	31	52,3	270 C	400/3/50	1200	185	155X57X118
20809.K30	PR 500/7,5T	K 30									500 C	400/3/50		215	203X70X131
COMPRESSORI FISSI CON TESTATA "K" - FIXED COMPRESSORS WITH "K" COMPRESSOR PUMP															
21709.K30	PR 270/7,5T	K 30	10	145	2	7,5	5,5	872	31	52,3	270 F	400/3/50	1200	185	155X57X118
21809.K30	PR 500/7,5T	K 30									500 F	400/3/50		215	203X70X131
21709.K30.1	PR 270/7,5T ST	K 30	10	145	2	7,5	5,5	872	31	52,3	270 F	400/3/50	1200	200	155X57X118
21809.K30.1	PR 500/7,5T ST	K 30									500 F	400/3/50		230	203X70X131

serie/series:

INDUSTRIAL

PR

COMPRESSORI INDUSTRIALI - BISTADIO - TRASMISSIONE A CINGHIA - LUBRIFICATI
OIL - LUBRICATED DOUBLE-STAGE INDUSTRIAL COMPRESSORS WITH BELT DRIVE

**QUALITY
MADE IN ITALY**



PR 500F/10TA



Con serbatoio da 270 e 500 lt.
With 270 and 500 lt. air tank



K SERIES

Testata a basso numero di giri
Comp. pump with low rpm

PR SERIES - 10 HP

Max 81 dB(A)

Codice	Modello		Pressione		N. Cilindri	Potenza Nominale Motore		Aria Aspirata			Serb.	Voltaggio	Giri/min	Peso	Dimensione Imballo
Cod.	Model		Pressure		N. Cylinders	Nominal Motor Rating		Air outflow			Tank	Voltage	r.p.m.	Weight	Packaging Dimension
-	Series	Comp. Pump	bar	p.s.i.	Cil.	Hp	kW	lt./min.	CFM	m3/h	lt.	Volt/ph/hz	r.p.m.	kg.	cm
COMPRESSORI CARRELLATI CON TESTATA "NG" - PORTABLE COMPRESSORS WITH "NG" COMPRESSOR PUMP															
20710.NGV10	PR 270/10T	NGV 10	10	145	4	10	7,5	1246	44	74,8	270 C	400/3/50	1400	215	155X57X118
20810.NGV10	PR 500/10T	NGV 10									500 C	400/3/50		266	203X70X131
COMPRESSORI FISSI CON TESTATA "NG" - FIXED COMPRESSORS WITH "NG" COMPRESSOR PUMP															
21710.NGV10	PR 270/10T	NGV 10									270 F	400/3/50		215	155X57X118
21810.NGV10	PR 500/10T	NGV 10	10	145	4	10	7,5	1246	44	74,8	500 F	400/3/50	1400	266	203X70X131
21910.NGV10	PR 900/10T	NGV 10									900 F	400/3/50		371	212x85x161
21710.NGV10.1	PR 270/10T ST	NGV 10									270 F	400/3/50		230	155X57X118
21810.NGV10.1	PR 500/10T ST	NGV 10	10	145	4	10	7,5	1246	44	74,8	500 F	400/3/50	1400	281	203X70X131
21910.NGV10.1	PR 900/10T ST	NGV 10									900 F	400/3/50		386	212x85x161
COMPRESSORI CARRELLATI CON TESTATA "K" - PORTABLE COMPRESSORS WITH "K" COMPRESSOR PUMP															
20710.K50	PR 270/10T	K 50	10	145	2	10	7,5	1074	38	64,4	270 C	400/3/50	1000	215	155X57X118
20810.K50	PR 500/10T	K 50									500 C	400/3/50		266	203X70X131
COMPRESSORI FISSI CON TESTATA "K" - FIXED COMPRESSORS WITH "K" COMPRESSOR PUMP															
21710.K50	PR 270/10T	K 50									270 F	400/3/50		215	155X57X118
21810.K50	PR 500/10T	K 50	10	145	2	10	7,5	1074	38	64,4	500 F	400/3/50	1000	266	203X70X131
21910.K50	PR 900/10T	K 50									900 F	400/3/50		371	212x85x161
21710.K50.1	PR 270/10T ST	K 50									270 F	400/3/50		230	155X57X118
21810.K50.1	PR 500/10T ST	K 50	10	145	2	10	7,5	1074	38	64,4	500 F	400/3/50	1000	281	203X70X131
21910.K50.1	PR 900/10T ST	K 50									900 F	400/3/50		386	212x85x161

serie/series:

INDUSTRIAL

PR

COMPRESSORI INDUSTRIALI - BISTADIO - TRASMISSIONE A CINGHIA - LUBRIFICATI OIL - LUBRICATED DOUBLE-STAGE INDUSTRIAL COMPRESSORS WITH BELT DRIVE

**QUALITY
MADE IN ITALY**



PR 500F/10TA



Con serbatoio da 270 e 500 lt.
With 270 and 500 lt. air tank

Max 81 dB(A)

Codice	Modello		Pressione		N. Cilindri	Potenza Nominale Motore		Aria Aspirata			Serb.	Voltaggio	Giri/min	Peso	Dimensione Imballo
Cod.	Model		Pressure		N. Cylinders	Nominal Motor Rating		Air outflow			Tank	Voltage	r.p.m.	Weight	Packaging Dimension
-	Series	Comp. Pump	bar	p.s.i.	Cil.	Hp	kW	lt./min.	CFM	m3/h	lt.	Volt/ph/hz	r.p.m.	kg.	cm
COMPRESSORI CARRELLATI CON TESTATA "NG" - PORTABLE COMPRESSORS WITH "NG" COMPRESSOR PUMP															
20711.NGV15	PR 270/15T	NGV 15	10	145	4	15	11	1505	53,2	90,3	270 C	400/3/50	1400	226	155X57X118
20811.NGV15	PR 500/15T	NGV 15									500 C	400/3/50		275	203X70X131
COMPRESSORI FISSI CON TESTATA "NG" - FIXED COMPRESSORS WITH "NG" COMPRESSOR PUMP															
21711.NGV15	PR 270/15T	NGV 15	10	145	4	15	11	1505	53,2	90,3	270 F	400/3/50	1400	226	155X57X118
21811.NGV15	PR 500/15T	NGV 15									500 F	400/3/50		275	203X70X131
21911.NGV15	PR 900/15T	NGV 15									900 F	400/3/50		381	212x85x161
21711.NGV15.1	PR 270/15T ST	NGV 15	10	145	4	15	11	1505	53,2	90,3	270 F	400/3/50	1400	245	155X57X118
21811.NGV15.1	PR 500/15T ST	NGV 15									500 F	400/3/50		291	203X70X131
21911.NGV15.1	PR 900/15T ST	NGV 15									900 F	400/3/50		396	212x85x161

serie/series:

INDUSTRIAL

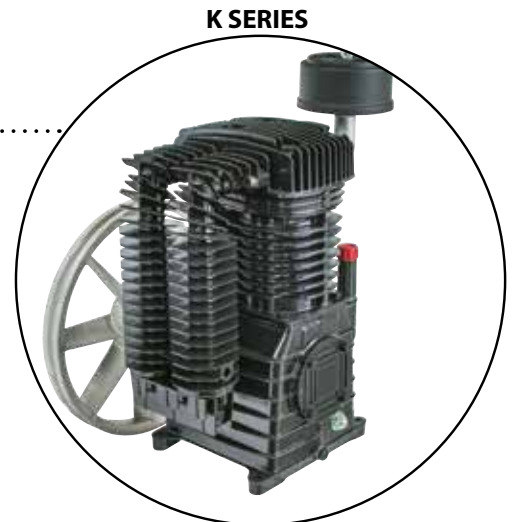
PR TANDEM

COMPRESSORI INDUSTRIALI - BISTADIO - TRASMISSIONE A CINGHIA - LUBRIFICATI
OIL - LUBRICATED DOUBLE-STAGE INDUSTRIAL COMPRESSORS WITH BELT DRIVE

**QUALITY
MADE IN ITALY**



EC 900/10 TTD



K SERIES

Testata a basso numero di giri
Comp. pump with low rpm



Con serbatoio da 270 e 500 lt.
With 270 and 500 lt. air tank

PR SERIES - TANDEM

Max 81 dB(A)

Codice	Modello		Pressione		N. Cilindri	Potenza Nominale Motore		Aria Aspirata			Serb.	Voltaggio	Giri/min	Peso	Dimensione Imballo
Cod.	Model		Pressure		N. Cylinders	Nominal Motor Rating		Air outflow			Tank	Voltage	r.p.m.	Weight	Packaging Dimension
-	Series	Comp. Pump	bar	p.s.i.	Cil.	Hp	kW	lt./min.	CFM	m3/h	lt.	Volt/ph/hz	r.p.m.	kg.	cm
COMPRESSORI FISSI CON TESTATA "NG" - FIXED COMPRESSORS WITH "NG" COMPRESSOR PUMP															
21812.NG5	PR 500/5,5TTD	NG 5	10	145	2	5,5+5,5	4+4	1212	42,8	72,7	500 F	400/3/50	1400	400	203X70X131
21813.NG6	PR 500/7,5TTD	NG 6	10	145	2	7,5+7,5	5,5+5,5	1596	56,4	100	500 F	400/3/50	1400	410	203X70X131
21914.NG6	PR 900/7,5TTD	NG 6									900 F	400/3/50			
21814.NGV10	PR 500/10TTD	NGV 10	10	145	4	10+10	7,5+7,5	2492	88	149,5	500 F	400/3/50	1400	430	203X70X131
21914.NGV10	PR 900/10TTD	NGV 10									900 F	400/3/50			
21915.NGV15	PR 900/15TTD	NGV 15	10	145	4	15+15	11+11	3010	106,3	180,6	900 F	400/3/50	1400	600	212x85x161
COMPRESSORI FISSI CON TESTATA "K" - FIXED COMPRESSORS WITH "K" COMPRESSOR PUMP															
21812.K28	PR 500/5,5TTD	K 28	10	145	2	5,5+5,5	4+4	1324	46,8	79,4	500 F	400/3/50	1290	400	203X70X131
21813.K30	PR 500/7,5TTD	K 30	10	145	2	7,5+7,5	5,5+5,5	1744	62	104,6	500 F	400/3/50	1200	410	203X70X131
21913.K30	PR 900/7,5TTD	K 30									900 F	400/3/50			
21814.K50	PR 500/10TTD	K 50	10	145	2	10+10	7,5+7,5	2148	76	128,8	500 F	400/3/50	1000	430	203X70X131
21914.K50	PR 900/10TTD	K 50									900 F	400/3/50			

serie/series:

INDUSTRIAL

PR VERTICAL

COMPRESSORI INDUSTRIALI - BISTADIO - TRASMISSIONE A CINGHIA - LUBRIFICATI OIL - LUBRICATED DOUBLE-STAGE INDUSTRIAL COMPRESSORS WITH BELT DRIVE

**QUALITY
MADE IN ITALY**



PR 270V/7,5T

K SERIES



Testata a basso numero di giri
Comp. pump with low rpm

PR SERIES - VERTICAL

Max 81 dB(A)

Codice	Modello		Pressione		N. Cilindri	Potenza Nominale Motore		Aria Aspirata			Serb.	Voltaggio	Giri/min	Peso	Dimensione Imballo
Cod.	Model		Pressure		N. Cylinders	Nominal Motor Rating		Air outflow			Tank	Voltage	r.p.m.	Weight	Packaging Dimension
-	Series	Comp. Pump	bar	p.s.i.	Cil.	Hp	kW	lt./min.	CFM	m3/h	lt.	Volt/ph/hz	r.p.m.	kg.	cm
COMPRESSORI FISSI VERTICALI CON TESTATA "NG" - VERTICAL FIXED COMPRESSORS WITH "NG" COMPRESSOR PUMP															
22008.NG5	PR 270V/5,5T	NG 5	10	145	2	5,5	4	650	23	39	270 V	400/3/50	1400	170	90x63x195
22009.NG6	PR 270V/7,5T	NG 6	10	145	2	7,5	5,5	830	30	49,7	270 V	400/3/50	1400	185	90x63x195
22009.NG6.1	PR 270V/7,5T ST	NG 6									270 V	400/3/50	200	90x63x195	
22010.NGV10	PR 270V/10T	NGV 10	10	145	4	10	7,5	1210	42,7	72,6	270 V	400/3/50	1400	215	90x63x195
22010.NGV10.1	PR 270V/10T ST	NGV 10									270 V	400/3/50	230	90x63x195	
22011.NGV15.1	PR 270V/15T ST	NGV 15	10	145	4	10	7,5	1390	48,6	83,4	270 V	400/3/50	1400	266	90x63x195
COMPRESSORI FISSI VERTICALI CON TESTATA "K" - VERTICAL FIXED COMPRESSORS WITH "K" COMPRESSOR PUMP															
22008.K28	PR 270V/5,5T	K 28	10	145	2	5,5	4	662	23,4	39,7	270 V	400/3/50	1290	170	90x63x195
22009.K30	PR 270V/7,5T	K 30	10	145	2	7,5	5,5	872	31	52,3	270 V	400/3/50	1200	185	90x63x195
22009.K30.1	PR 270V/7,5T ST	K 30									270 V	400/3/50	200	90x63x195	
22010.K50	PR 270V/10T	K 50	10	145	2	10	7,5	1074	38	64,4	270 V	400/3/50	1000	215	90x63x195
22010.K50.1	PR 270V/10T ST	K 50									270 V	400/3/50	230	90x63x195	

serie/series:

INDUSTRIAL

PRB

COMPRESSORI INDUSTRIALI - BISTADIO - TRASMISSIONE A CINGHIA - LUBRIFICATI
OIL - LUBRICATED DOUBLE-STAGE INDUSTRIAL COMPRESSORS WITH BELT DRIVE

**QUALITY
MADE IN ITALY**



PRB 7,5 T

K SERIES



Testata a basso numero di giri
Comp. pump with low rpm

Max 81 dB(A)

PR SERIES - BASE

Codice	Modello		Pressione		N. Cilindri	Potenza Nominale Motore		Aria Aspirata			Serb.	Voltaggio	Giri/min	Peso	Dimensione Imballo
Cod.	Model		Pressure		N. Cylinders	Nominal Motor Rating		Air outflow			Tank	Voltage	r.p.m.	Weight	Packaging Dimension
-	Series	Comp. Pump	bar	p.s.i.	Cil.	Hp	kW	lt./min.	CFM	m3/h	lt.	Volt/ph/hz	r.p.m.	kg.	cm
BASAMENTO CON TESTATA "NG" - BASE WITH "NG" COMPRESSOR PUMP															
21008.NG5	PRB 5,5T	NG 5	10	145	2	5,5	4	606	21,4	36,4	-	400/3/50	1400	69	105x55x65
21009.NG6	PRB 7,5T	NG 6	10	145	2	7,5	5,5	798	28,2	47,9	-	400/3/50	1400	79	105x55x65
21009.NG6.1	PRB 7,5T ST	NG 6												85	105x55x65
21010.NGV10	PRB 10T	NGV 10	10	145	4	10	7,5	1246	44	74,8	-	400/3/50	1400	114	105x55x65
21010.NGV10.1	PRB 10T ST	NGV 10												129	105x55x65
BASAMENTO CON TESTATA "K" - BASE WITH "K" COMPRESSOR PUMP															
21008.K28	PRB 5,5T	K 28	10	145	2	5,5	4	662	23,4	39,7	-	400/3/50	1290	69	105x55x65
21009.K30	PRB 7,5T	K 30	10	145	2	7,5	5,5	872	31	52,3	-	400/3/50	1200	79	105x55x65
21009.K30.1	PRB 7,5T ST	K 30												85	105x55x65
21010.K50	PRB 10T	K 50	10	145	2	10	7,5	1074	38	64,4	-	400/3/50	1000	114	105x55x65
21010.K50.1	PRB 10T ST	K 50												129	105x55x65

serie/series:

INDUSTRIAL

PR 15 BAR

COMPRESSORI INDUSTRIALI - BISTADIO - TRASMISSIONE A CINGHIA - LUBRIFICATI OIL - LUBRICATED DOUBLE-STAGE INDUSTRIAL COMPRESSORS WITH BELT DRIVE

**QUALITY
MADE IN ITALY**



PR 270/10-15B-TFST

Max 81 dB(A)

PR SERIES - 15 BAR

Codice	Modello		Pressione		N. Cilindri	Potenza Nominale Motore		Aria Aspirata			Serb.	Voltaggio	Giri/min	Peso	Dimensione Imballo
Cod.	Model		Pressure		N. Cilinders	Nominal Motor Rating		Air outflow			Tank	Voltage	r.p.m.	Weight	Packaging Dimension
-	Series	Comp. Pump	bar	p.s.i.	Cil.	Hp	kW	lt./min.	CFM	m3/h	lt.	Volt/ph/hz	r.p.m.	kg.	cm
COMPRESSORI A 15bar CARRELLATI CON TESTATA "NG" - 15bar PORTABLE COMPRESSORS WITH "NG" COMPRESSOR PUMP															
20708.NG5.15	PR 270/5,5T 15B	NG 5	10	145	2	5,5	4	432	15,2	25,9	270 C	400/3/50	1000	150	155x57x120
20808.NG5.15	PR 500/5,5T 15B	NG 5									500 C	400/3/50		212	203x68x131
20709.NG6.15	PR 270/7,5T 15B	NG 6	10	145	2	7,5	5,5	570	20,1	34,2	270 C	400/3/50	1000	153	155x57x120
20809.NG6.15	PR 500/7,5T 15B	NG 6									500 C	400/3/50		213	203x68x131
20710.NGV10.15	PR 270/10T 15B	NGV 10	10	145	4	10	7,5	942	33,2	56,5	270 C	400/3/50	1000	186	155x57x120
20810.NGV10.15	PR 500/10T 15B	NGV 10									500 C	400/3/50		246	203x68x131
20711.NGV15.15	PR 270/15T 15B	NGV 15	10	145	4	15	11	1140	40,3	68,4	270 C	400/3/50	1000	209	155x57x120
20811.NGV15.15	PR 500/15T 15B	NGV 15									500 C	400/3/50		263	203x68x131
COMPRESSORI A 15bar FISSI CON TESTATA "NG" - 15bar FIXED COMPRESSORS WITH "NG" COMPRESSOR PUMP															
21708.NG5.15	PR 270/5,5T 15B	NG 5	10	145	2	5,5	4	432	15,2	25,9	270 F	400/3/50	1000	150	155x57x120
21808.NG5.15	PR 500/5,5T 15B	NG 5									500 F	400/3/50		212	203x68x131
21709.NG6.15	PR 270/7,5T 15B	NG 6	10	145	2	7,5	5,5	570	20,1	34,2	270 F	400/3/50	1000	153	155x57x120
21809.NG6.15	PR 500/7,5T 15B	NG 6									500 F	400/3/50		213	203x68x131
21710.NGV10.15	PR 270/10T 15B	NGV 10	10	145	4	10	7,5	942	33,2	56,5	270 F	400/3/50	1000	186	155x57x120
21810.NGV10.15	PR 500/10T 15B	NGV 10									500 F	400/3/50		246	203x68x131
21710.NGV10.15.1	PR 270/10T 15B ST	NGV 10	10	145	4	10	7,5	942	33,2	56,5	270 F	400/3/50	1000	209	155x57x120
21810.NGV10.15.1	PR 500/10T 15B ST	NGV 10									500 F	400/3/50		263	203x68x131
21711.NGV15.15	PR 270/15T 15B	NGV 15	10	145	4	15	11	1140	40,3	68,4	270 F	400/3/50	1000	232	155x57x120
21811.NGV15.15	PR 500/15T 15B	NGV 15									500 F	400/3/50		280	203x68x131
21811.NGV15.15.1	PR 500/15T 15B ST	NGV 15	10	145	4	15	11	1140	40,3	68,4	500 F	400/3/50	1000	263	203x68x131

SILENT - LS Max 68 dB(A)



serie/series:

INDUSTRIAL

SILENT LS

COMPRESSORI INDUSTRIALI SILENZIATI - BISTADIO - TRASMISSIONE A CINGHIA - LUBRIFICATI
 SILENT DOUBLE-STAGE INDUSTRIAL COMPRESSORS WITH BELT DRIVE - OIL LUBRICATED

**QUALITY
 MADE IN ITALY**



LS 1000



Max 68 dB(A)

Codice	Modello	Pressione	N. Cilindri	Potenza Nominale Motore	Aria Aspirata	Serb.	Voltaggio	Giri/min	Peso	Dimensione Imballo					
Cod.	Model	Pressure	N. Cylinders	Nominal Motor Rating	Air outflow	Tank	Voltage	r.p.m.	Weight	Packaging Dimension					
-	Series	Comp. Pump	bar	p.s.i.	Cil.	Hp	kW	lt./min.	CFM	m3/h	lt.	Volt/ph/hz	r.p.m.	kg.	cm
COMPRESSORI SILENZIATI CON TESTATA "NG" - SILENT COMPRESSORS WITH "NG" COMPRESSOR PUMP															
44006	LS 450	NG 4	10	145	2	4	3	514	19,1	32,5	-	400/3/50	1400	170	120x70x100
44007.0	LS 550	NG 5	10	145	2	5,5	4	606	21,4	36,4	-	400/3/50	1400	181	120x70x100
44008.0	LS 750	NG 6	10	145	2	7,5	5,5	798	28,2	47,9	-	400/3/50	1400	234	120x70x100
44009.0	LS 750 ST	NG 6									-			240	
44010	LS 1000	NGV 10	10	145	4	10	7,5	1246	44	74,8	-	400/3/50	1400	253	120x70x100
44011	LS 1000 ST	NGV 10									-			259	

serie/series:

INDUSTRIAL

SILENT LS

COMPRESSORI INDUSTRIALI SILENZIATI - BISTADIO - TRASMISSIONE A CINGHIA - LUBRIFICATI
SILENT DOUBLE-STAGE INDUSTRIAL COMPRESSORS WITH BELT DRIVE - OIL LUBRIFICATED

**QUALITY
MADE IN ITALY**

 **Max 68 dB(A)**



LS 1000 - 500

Codice	Modello		Pressione		N. Cilindri	Potenza Nominale Motore		Aria Aspirata			Serb.	Voltaggio	Giri/min	Peso	Dimensione Imballo
Cod.	Model		Pressure		N. Cylinders	Nominal Motor Rating		Air outflow			Tank	Voltage	r.p.m.	Weight	Packaging Dimension
-	Series	Comp. Pump	bar	p.s.i.	Cil.	Hp	kW	lt./min.	CFM	m3/h	lt.	Volt/ph/hz	r.p.m.	kg.	cm
COMPRESSORI SILENZIATI CON SERBATOIO E CON TESTATA "NG" - SILENT COMPRESSORS WITH AIR TANK AND "NG" COMPRESSOR PUMP															
44106	LS 450 - 270	NG 4	10	145	2	4	3	514	19,1	32,5	270 F	400/3/50	1400	238	155x73x165
44107.0	LS 550 - 270	NG 5	10	145	2	5,5	4	606	21,4	36,4	270 F	400/3/50	1400	248	155x73x165
44207.0	LS 550 - 500	NG 5									500 F	400/3/50			
44108.0	LS 750 - 270	NG 6	10	145	2	7,5	5,5	798	28,2	47,9	270 F	400/3/50	1400	301	155x73x165
44109.2	LS 750 - 270 ST	NG 6									270 F	400/3/50			
44208.2	LS 750 - 500	NG 6	10	145	2	7,5	5,5	798	28,2	47,9	500 F	400/3/50	1400	379	195x73x173
44209.2	LS 750 - 500 ST	NG 6									500 F	400/3/50			

serie/series:

INDUSTRIAL

SILENT LS

COMPRESSORI INDUSTRIALI SILENZIATI - BISTADIO - TRASMISSIONE A CINGHIA - LUBRIFICATI
SILENT DOUBLE-STAGE INDUSTRIAL COMPRESSORS WITH BELT DRIVE - OIL LUBRICATED

**QUALITY
MADE IN ITALY**

Max 68 dB(A)



LS 1000 - 500 E

Codice	Modello		Pressione		N. Cilindri	Potenza Nominale Motore		Aria Aspirata			Serb.	Voltaggio	Giri/min	Peso	Dimensione Imballo
Cod.	Model		Pressure		N. Cylinders	Nominal Motor Rating		Air outflow			Tank	Voltage	r.p.m.	Weight	Packaging Dimension
-	Series	Comp. Pump	bar	p.s.i.	Cil.	Hp	kW	lt./min.	CFM	m3/h	lt.	Volt/ph/hz	r.p.m.	kg.	cm
COMPRESSORI SILENZIATI CON SERBATOIO, ESSICCATORE E CON TESTATA "NG" - SILENT COMPRESSOR WITH AIR TANK, DRYER AND "NG" COMPRESSOR PUMP															
44306	LS 450 - 270 E	NG 4	10	145	2	4	3	514	19,1	32,5	270 F	400/3/50	-	263	155x73x165
44307.0	LS 550 - 270 E	NG 5	10	145	2	5,5	4	606	21,4	36,4	270 F	400/3/50	1400	273	155x73x165
44407.2	LS 550 - 500 E	NG 5									500 F	400/3/50			
44308.2	LS 750 - 270 E	NG 6	10	145	2	7,5	5,5	798	28,2	47,9	270 F	400/3/50	1400	326	155x73x165
44309.0	LS 750 - 270 ST E	NG 6									270 F	400/3/50			
44408.0	LS 750 - 500 E	NG 6									500 F	400/3/50			
44409.2	LS 750 - 500 ST E	NG 6									500 F	400/3/50			
44310	LS 1000 - 270 E	NGV 10	10	145	4	10	7,5	1246	44	74,8	270 F	400/3/50	1400	345	155x73x165
44311	LS 1000 - 270 ST E	NGV 10									270 F	400/3/50			
44410	LS 1000 - 500 E	NGV 10	10	145	4	10	7,5	1246	44	74,8	500 F	400/3/50	1400	442	195x73x173
44411	LS 1000 - 500 ST E	NGV 10									500 F	400/3/50			

serie/series:

INDUSTRIAL SILENT LS - 15 BAR

COMPRESSORI INDUSTRIALI SILENZIATI - BISTADIO - TRASMISSIONE A CINGHIA - LUBRIFICATI
SILENT DOUBLE-STAGE INDUSTRIAL COMPRESSORS WITH BELT DRIVE - OIL LUBRICATED

**QUALITY
MADE IN ITALY**



LS 1000



Max 68 dB(A)

Codice	Modello		Pressione		N. Cilindri	Potenza Nominale Motore		Aria Aspirata			Serb.	Voltaggio	Giri/min	Peso	Dimensione Imballo
Cod.	Model		Pressure		N. Cylinders	Nominal Motor Rating		Air outflow			Tank	Voltage	r.p.m.	Weight	Packaging Dimension
-	Series	Comp. Pump	bar	p.s.i.	Cil.	Hp	kW	lt./min.	CFM	m3/h	lt.	Volt/ph/hz	r.p.m.	kg.	cm
COMPRESSORI SILENZIATI CON TESTATA "NG" - SILENT COMPRESSORS WITH "NG" COMPRESSOR PUMP															
44007.2	LS 550	NG 5 - 15b	15	218	2	5,5	4	432	15,2	25,9	-	400/3/50	1000	181	120x70x100
44008.1	LS 750	NG 6 - 15b	15	218	2	7,5	5,5	570	20,1	34,2	-	400/3/50	1000	234	120x70x100
44009.1	LS 750 ST	NG 6 - 15b									-			240	
44010.1	LS 1000	NGV 10 - 15b	15	218	2	10	7,5	942	33,2	56,5	-	400/3/50	1000	253	120x70x100
44011.2	LS 1000 ST	NGV 10 - 15b									-			259	

serie/series:

INDUSTRIAL SILENT LS - 15 BAR

COMPRESSORI INDUSTRIALI SILENZIATI - BISTADIO - TRASMISSIONE A CINGHIA - LUBRIFICATI
SILENT DOUBLE-STAGE INDUSTRIAL COMPRESSORS WITH BELT DRIVE - OIL LUBRICATED

**QUALITY
MADE IN ITALY**



LS 1000



Max 68 dB(A)

Codice	Modello		Pressione		N. Cilindri	Potenza Nominale Motore		Aria Aspirata			Serb.	Voltaggio	Giri/min	Peso	Dimensione Imballo
Cod.	Model		Pressure		N. Cylinders	Nominal Motor Rating		Air outflow			Tank	Voltage	r.p.m.	Weight	Packaging Dimension
-	Series	Comp. Pump	bar	p.s.i.	Cil.	Hp	kW	lt./min.	CFM	m3/h	lt.	Volt/ph/hz	r.p.m.	kg.	cm
COMPRESSORI SILENZIATI CON SERBATOIO E CON TESTATA "NG" - SILENT COMPRESSORS WITH AIR TANK AND "NG" COMPRESSOR PUMP															
44107.2	LS 550 - 270	NG 5 - 15b	15	218	2	5,5	4	432	15,2	25,9	270 F	400/3/50	1000	248	155x73x165
44207.1	LS 550 - 500	NG 5 - 15b									500 F	400/3/50		379	195x73x173
44108.1	LS 750 - 270	NG 6 - 15b	15	218	2	7,5	5,5	570	20,1	34,2	270 F	400/3/50	1000	301	155x73x165
44109.1	LS 750 - 270 ST	NG 6 - 15b									270 F	400/3/50		307	155x73x165
44208.1	LS 750 - 500	NG 6 - 15b	15	218	2	7,5	5,5	570	20,1	34,2	500 F	400/3/50	1000	379	195x73x173
44209.1	LS 750 - 500 ST	NG 6 - 15b									500 F	400/3/50		385	195x73x173
44110.1	LS 1000 - 270	NGV 10 - 15b	15	218	2	10	7,5	942	33,2	56,5	270 F	400/3/50	1000	320	155x73x165
44111.1	LS 1000 - 270 ST	NGV 10 - 15b									270 F	400/3/50		326	155x73x165
44210.1	LS 1000 - 500	NGV 10 - 15b	15	218	2	10	7,5	942	33,2	56,5	500 F	400/3/50	1000	417	195x73x173
44211.1	LS 1000 - 500 ST	NGV 10 - 15b									500 F	400/3/50		423	195x73x173

serie/series:

INDUSTRIAL SILENT LS - 15 BAR

COMPRESSORI INDUSTRIALI SILENZIATI - BISTADIO - TRASMISSIONE A CINGHIA - LUBRIFICATI
SILENT DOUBLE-STAGE INDUSTRIAL COMPRESSORS WITH BELT DRIVE - OIL LUBRICATED

**QUALITY
MADE IN ITALY**



LS 1000



Max 68 dB(A)

Codice	Modello		Pressione		N. Cilindri	Potenza Nominale Motore		Aria Aspirata			Serb.	Voltaggio	Giri/min	Peso	Dimensione Imballo
Cod.	Model		Pressure		N. Cylinders	Nominal Motor Rating		Air outflow			Tank	Voltage	r.p.m.	Weight	Packaging Dimension
-	Series	Comp. Pump	bar	p.s.i.	Cil.	Hp	kW	lt./min.	CFM	m3/h	lt.	Volt/ph/hz	r.p.m.	kg.	cm
COMPRESSORI SILENZIATI CON SERBATOIO, ESSICCATORE E CON TESTATA "NG" - SILENT COMPRESSOR WITH AIR TANK, DRYER AND "NG" COMPRESSOR PUMP															
44307.1	LS 550 - 270 E	NG 5 - 15b	15	218	2	5,5	4	432	15,2	25,9	270 F	400/3/50	1000	273	155x73x165
44407.1	LS 550 - 500 E	NG 5 - 15b									500 F	400/3/50		404	195x73x173
44308.1	LS 750 - 270 E	NG 6 - 15b	15	218	2	7,5	5,5	570	20,1	34,2	270 F	400/3/50	1000	326	155x73x165
44309.1	LS 750 - 270 STE	NG 6 - 15b									270 F	400/3/50		332	155x73x165
44408.2	LS 750 - 500 E	NG 6 - 15b	15	218	2	7,5	5,5	570	20,1	34,2	500 F	400/3/50	1000	404	195x73x173
44409.1	LS 750 - 500 STE	NG 6 - 15b									500 F	400/3/50		410	195x73x173
44310.1	LS 1000 - 270 E	NGV 10 - 15b	15	218	2	10	7,5	942	33,2	56,5	270 F	400/3/50	1000	345	155x73x165
44311.1	LS 1000 - 270 STE	NGV 10 - 15b									270 F	400/3/50		351	155x73x165
44410.1	LS 1000 - 500 E	NGV 10 - 15b	15	218	2	10	7,5	942	33,2	56,5	500 F	400/3/50	1000	442	195x73x173
44411.1	LS 1000 - 500 STE	NGV 10 - 15b									500 F	400/3/50		448	195x73x173

serie/series:

INDUSTRIAL

SILENT LS - K

COMPRESSORI INDUSTRIALI SILENZIATI - BISTADIO - TRASMISSIONE A CINGHIA - LUBRIFICATI
 SILENT DOUBLE-STAGE INDUSTRIAL COMPRESSORS WITH BELT DRIVE - OIL LUBRICATED

**QUALITY
 MADE IN ITALY**



LS 1000



Max 68 dB(A)

Compressore a basso numero di giri
 Compressor with low rpm

Codice	Modello		Pressione		N. Cilindri	Potenza Nominale Motore		Aria Aspirata			Serb.	Voltaggio	Giri/min	Peso	Dimensione Imballo
Cod.	Model		Pressure		N. Cylinders	Nominal Motor Rating		Air outflow			Tank	Voltage	r.p.m.	Weight	Packaging Dimension
-	Series	Comp. Pump	bar	p.s.i.	Cil.	Hp	kW	lt./min.	CFM	m3/h	lt.	Volt/ph/hz	r.p.m.	kg.	cm
COMPRESSORI SILENZIATI CON TESTATA "K" - SILENT COMPRESSORS WITH "K" COMPRESSOR PUMP															
44006.0	LS 450	K 18	10	145	2	4	3	540	19,1	32,4	-	400/3/50	1400	170	120x70x100
44007.4	LS 550	K 28	10	145	2	5,5	4	662	23,4	39,7	-	400/3/50	1290	181	120x70x100
44008.2	LS 750	K 30	10	145	2	7,5	5,5	872	31	52,4	-	400/3/50	1200	234	120x70x100
44009.2	LS 750 ST	K 30									-			240	
44010.0	LS 1000	K 50	10	145	2	10	7,5	1074	38	64,4	-	400/3/50	1000	253	120x70x100
44011.3	LS 1000 ST	K 50									-			259	

serie/series:

INDUSTRIAL

SILENT LS - K

COMPRESSORI INDUSTRIALI SILENZIATI - BISTADIO - TRASMISSIONE A CINGHIA - LUBRIFICATI
SILENT DOUBLE-STAGE INDUSTRIAL COMPRESSORS WITH BELT DRIVE - OIL LUBRICATED

**QUALITY
MADE IN ITALY**

Max 68 dB(A)



LS 1000 - 500

Compressore a basso numero di giri

Compressor with low rpm

Codice	Modello		Pressione		N. Cilindri	Potenza Nominale Motore		Aria Aspirata			Serb.	Voltaggio	Giri/min	Peso	Dimensione Imballo
Cod.	Model		Pressure		N. Cylinders	Nominal Motor Rating		Air outflow			Tank	Voltage	r.p.m.	Weight	Packaging Dimension
-	Series	Comp. Pump	bar	p.s.i.	Cil.	Hp	kW	lt./min.	CFM	m3/h	lt.	Volt/ph/hz	r.p.m.	kg.	cm
COMPRESSORI SILENZIATI CON SERBATOIO E CON TESTATA "K" - SILENT COMPRESSORS WITH AIR TANK AND "NG" COMPRESSOR PUMP															
44106.0	LS 450 - 270	K 18	10	145	2	4	3	540	19,1	32,4	270 F	400/3/50	1400	248	155x73x165
44107.4	LS 550 - 270	K 28	10	145	2	5,5	4	662	23,4	39,7	270 F	400/3/50	1290	248	155x73x165
44207.4	LS 550 - 500	K 28									500 F	400/3/50			
44108.2	LS 750 - 270	K 30	10	145	2	7,5	5,5	872	31	52,4	270 F	400/3/50	1200	301	155x73x165
44109.0	LS 750 - 270 ST	K 30									270 F	400/3/50			
44208.0	LS 750 - 500	K 30	10	145	2	7,5	5,5	872	31	52,4	500 F	400/3/50	1200	379	195x73x173
44209.0	LS 750 - 500 ST	K 30									500 F	400/3/50			
44110.2	LS 1000 - 270	K 50	10	145	2	10	7,5	1074	38	64,4	270 F	400/3/50	1000	320	155x73x165
44111.0	LS 1000 - 270 ST	K 50									270 F	400/3/50			
44210.0	LS 1000 - 500	K 50	10	145	2	10	7,5	1074	38	64,4	500 F	400/3/50	1000	417	195x73x173
44211.0	LS 1000 - 500 ST	K 50									500 F	400/3/50			

serie/series:

INDUSTRIAL

SILENT LS - K

COMPRESSORI INDUSTRIALI SILENZIATI - BISTADIO - TRASMISSIONE A CINGHIA - LUBRIFICATI
SILENT DOUBLE-STAGE INDUSTRIAL COMPRESSORS WITH BELT DRIVE - OIL LUBRIFICATED

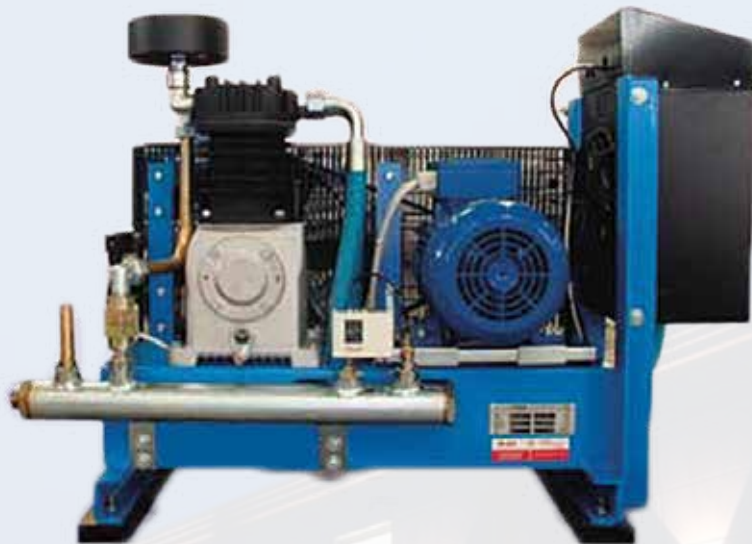
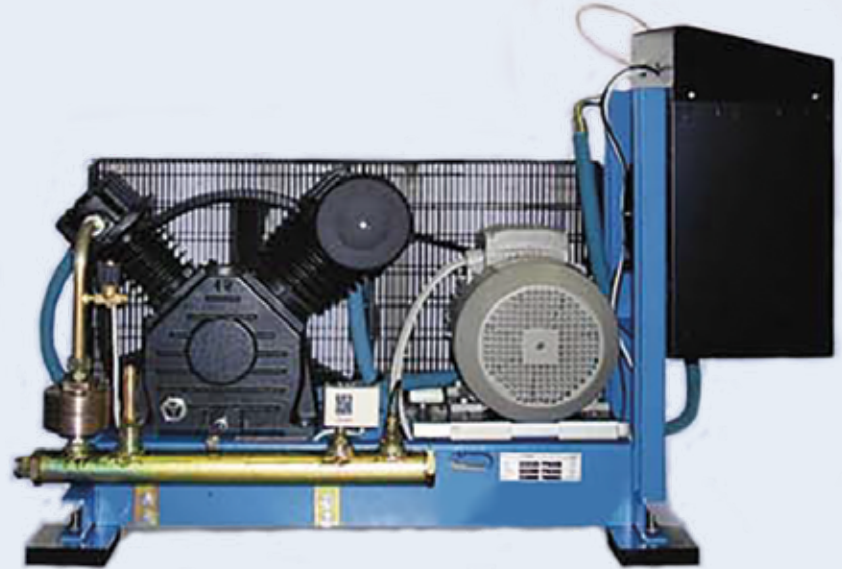
**QUALITY
MADE IN ITALY**

Max 68 dB(A)



Compressore a basso numero di giri
Compressor with low rpm

Codice	Modello		Pressione		N. Cilindri	Potenza Nominale Motore		Aria Aspirata			Serb.	Voltaggio	Giri/min	Peso	Dimensione Imballo
Cod.	Model		Pressure		N. Cylinders	Nominal Motor Rating		Air outflow			Tank	Voltage	r.p.m.	Weight	Packaging Dimension
-	Series	Comp. Pump	bar	p.s.i.	Cil.	Hp	kW	lt./min.	CFM	m3/h	lt.	Volt/ph/hz	r.p.m.	kg.	cm
COMPRESSORI SILENZIATI CON SERBATOIO, ESSICCATORE E CON TESTATA "K" - SILENT COMPRESSOR WITH AIR TANK, DRYER AND "K" COMPRESSOR PUMP															
44306.0	LS 450 - 270 E	K 18	10	145	2	4	3	540	19,1	32,4	270 F	400/3/50	1400	273	155x73x165
44307.4	LS 550 - 270 E	K 28	10	145	2	5,5	4	662	23,4	39,7	270 F	400/3/50	1290	273	155x73x165
44407.4	LS 550 - 500 E	K 28									500 F	400/3/50			
44308.0	LS 750 - 270 E	K 30	10	145	2	7,5	5,5	872	31	52,4	270 F	400/3/50	1200	326	155x73x165
44309.2	LS 750 - 270 ST E	K 30									270 F	400/3/50			
44408.1	LS 750 - 500 E	K 30	10	145	2	7,5	5,5	872	31	52,4	500 F	400/3/50	1200	404	195x73x173
44409.0	LS 750 - 500 ST E	K 30									500 F	400/3/50			
44310.0	LS 1000 - 270 E	K 50	10	145	2	10	7,5	1074	38	64,4	270 F	400/3/50	1000	345	155x73x165
44311.0	LS 1000 - 270 ST E	K 50									270 F	400/3/50			
44410.0	LS 1000 - 500 E	K 50	10	145	2	10	7,5	1074	38	64,4	500 F	400/3/50	1000	442	195x73x173
44411.0	LS 1000 - 500 ST E	K 50									500 F	400/3/50			



serie/series:



ALTA PRESSIONE
HIGH PRESSURE

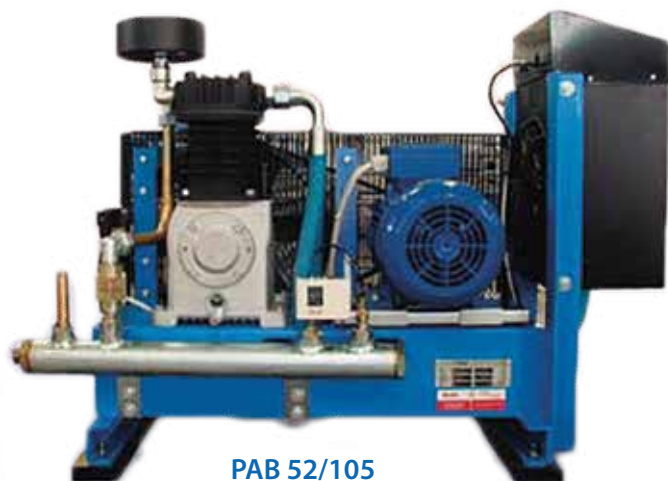
QUALITY
MADE IN ITALY

COMPRESSORI A PISTONI ALTA PRESSIONE SU BASAMENTO DA 15 A 40BAR
HIGH PRESSURE PISTON COMPRESSORS ON BASE FROM 15 TO 40BAR

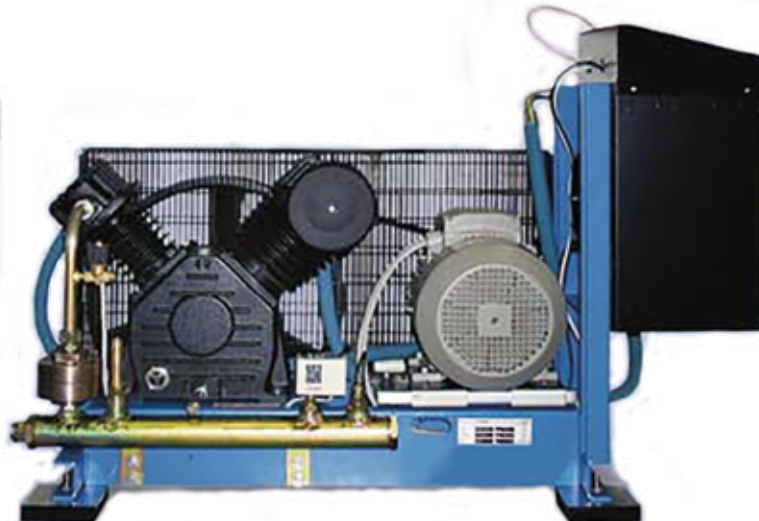
Max 87 dB(A)



PAB 43/85 AP-15



PAB 52/105



PAB 60/120

PAB SERIES - 15/40 bar

Codice	Modello		Pressione		N. Cilindri	Potenza Nominale Motore		Aria Aspirata			Serb.	Voltaggio	Giri/min	Peso	Dimensione Imballo
Cod.	Model		Pressure		N. Cylinders	Nominal Motor Rating		Air outflow			Tank	Voltage	r.p.m.	Weight	Packaging Dimension
-	Series	Comp. Pump	bar	p.s.i.	Cil.	Hp	kW	lt./min.	CFM	m3/h	lt.	Volt/ph/hz	r.p.m.	kg.	cm
42001	PAB 43/85	-	15	220	2	4	3	220	7,4	13	-	400/3/50	950	63	105x50x85
42002	PAB 43/85	-	20	292	2	4	3	190	6,4	11,2	-	400/3/50	850	63	105x50x85
42003	PAB 43/85	-	30	438	2	4	3	130	4,4	7,7	-	400/3/50	1050	63	105x50x85
42004	PAB 52/105	-	15	220	2	5,5	4	360	12	21,2	-	400/3/50	830	80	105x50x85
42005	PAB 52/105	-	20	292	2	7,5	5,5	400	13,5	23,5	-	400/3/50	970	82	105x50x85
42006	PAB 52/105	-	30	438	2	7,5	5,5	240	8	14,1	-	400/3/50	720	82	105x50x85
42007	PAB 60/110	-	15	220	2	7,5	5,5	580	19,5	34,2	-	400/3/50	820	210	140x60x85
42008	PAB 60/110	-	20	292	2	10	7,5	640	21,6	37,7	-	400/3/50	990	212	140x60x85
42009	PAB 60/110	-	30	438	2	10	7,5	400	13,5	23,6	-	400/3/50	800	218	140x60x85
42010	PAB 60/110	-	35	511	2	12,5	9	550	17,2	30	-	400/3/50	920	215	140x60x85
42011	PAB 60/120	-	15	220	2	10	7,5	880	29,6	52	-	400/3/50	920	215	140x60x85
42012	PAB 60/120	-	20	292	2	12,5	9	880	29,6	52	-	400/3/50	920	215	140x60x85
42013	PAB 60/120	-	30	438	2	12,5	9	750	25,3	44,2	-	400/3/50	760	215	140x60x85
42013.1	PAB 60/110	-	40	584	2	12,5	9	700	23,6	41,6	-	400/3/50	860	240	140x60x85



serie/series:



ALTA PRESSIONE
HIGH PRESSURE

QUALITY
MADE IN ITALY

COMPRESSORI A PISTONI ALTA PRESSIONE SU SERBATOIO DA 16 A 21BAR
HIGH PRESSURE PISTON COMPRESSORS ON TANK FROM 15 TO 40BAR

Max 86 dB(A)



PAS 2-20



PAS 120-21

PAS SERIES - 15/20 bar

Codice	Modello		Pressione		N. Cilindri	Potenza Nominale Motore		Aria Aspirata			Serb.	Voltaggio	Giri/min	Peso	Dimensione Imballo
Cod.	Model		Pressure		N. Cylinders	Nominal Motor Rating		Air outflow			Tank	Voltage	r.p.m.	Weight	Packaging Dimension
-	Series	Comp. Pump	bar	p.s.i.	Cil.	Hp	kW	lt./min.	CFM	m3/h	lt.	Volt/ph/hz	r.p.m.	kg.	cm
42014	PAS 2	-	20	292	2	2	1,5	90	3,2	5	1,5	400/3/50	1400	33	58x33x55
42015	PAS 50	-	15	220	2	3	2,2	200	7,1	12	50 F	400/3/50	870	65	95x47x75
42016	PAS 120	-	15	220	2	4	3	220	7,8	13	120 F	400/3/50	950	85	120x51x85
42017	PAS 250	-	15	220	2	5,5	4	360	12,7	22	250 F	400/3/50	830	110	140x53x110
42018	PAS 250	-	15	220	2	7,5	5,5	580	20,5	35	250 F	400/3/50	820	180	155x60x120
42019	PAS 500	-	15	220	2	10	7,5	880	31	54	500 F	400/3/50	920	310	197x60x123
42020	PAS 250 ST	-	15	220	2	5,5	4	360	12,7	22	250 F	400/3/50	830	110	140x53x110
42021	PAS 250 ST	-	15	220	2	7,5	5,5	580	20,5	35	250 F	400/3/50	820	180	155x60x120
42022	PAS 500 ST	-	15	220	2	10	7,5	880	31	54	500 F	400/3/50	920	310	197x60x123
42023	PAS 120	-	20	292	2	4	3	190	6,7	12	120 F	400/3/50	850	85	110x51x85
42024	PAS 250	-	20	292	2	7,5	5,5	400	14,1	24	250 F	400/3/50	970	120	140x53x110
42025	PAS 250	-	20	292	2	10	7,5	640	22,6	39	250 F	400/3/50	970	190	155x60x120
42026	PAS 475	-	20	292	2	12,5	9	880	31	54	475 F	400/3/50	920	320	197x60x123
42027	PAS 250	-	20	292	2	7,5	5,5	400	14,1	24	250 F	400/3/50	970	120	140x53x110
42028	PAS 250	-	20	292	2	10	7,5	640	22,6	39	250 F	400/3/50	990	190	155x60x120
42029	PAS 475	-	20	292	2	12,5	9	880	31	54	475 F	400/3/50	920	320	197x60x123



**POWERED by
HONDA™**

serie/series:

MOTO KOMP

**QUALITY
MADE IN ITALY**

COMPRESSORI CON MOTORE A SCOPPIO A DIESEL A BENZINA
PETROL AND DIESEL ENGINE COMPRESSORS

Max 94 dB(A)



CRS 1040/260 PL



TTS 2255

TWIN TANK PETROL ENGINE COMPRESSORS - TTS SERIES

Codice	Modello	Pressione	N. Cilindri	Potenza Nominale Motore	Aria Aspirata	Serb.	Voltaggio	Giri/min	Peso	Dimensione Imballo					
Cod.	Model	Pressure	N. Cylinders	Nominal Motor Rating	Air outflow	Tank	Voltage	r.p.m.	Weight	Packaging Dimension					
-	Series	Comp. Pump	bar	p.s.i.	Cil.	CV	Brand	lt./min.	CFM	m3/h	lt.	Volt/ph/hz	r.p.m.	kg.	cm
MOTOCOMPRESSORE A BENZINA - PETROL ENGINE COMPRESSORS															
42066	CRS 1040	K 11	11	160	2	4	Loncin	260	8,88	15,6	10 C	-	1150	52	69x88x88
42067	CRS 1055	K 17	11	160	2	5,5	Loncin	430	14,7	25,8	10 C	-	1250	58	69x88x88
42068.1	TTS 2265	K 18	11	160	2	6,5	Loncin	520	18,4	31,2	11+11 C	-	1300	68	69x88x88
MOTOCOMPRESSORE A DIESEL - DIESEL ENGINE COMPRESSORS															
42094	CRD 1042	K 17	11	160	2	4,2	Hailin	450	15,5	27,1	10 C	-	1300	64	69x88x88
42090	TTD 2242	K 18	11	160	2	4,2	Hailin	520	18,4	31,2	11+11 C	-	1300	70	69x88x88
42096	TTD 2242 E	K 18	11	160	2	6	Hailin	520	18,4	31,2	11+11 C	-	1300	70	69x88x88

serie/series:

MOTO KOMP

QUALITY
MADE IN ITALY

COMPRESSORI CON MOTORE A SCOPPIO A DIESEL E A BENZINA CON DOPPIO SERBATOIO
PETROL AND DIESEL ENGINE COMPRESSORS WITH TWIN TANK



TTS 3465/500

Max 96 dB(A)



TTS 3490/610



TTS 34110/900

TWIN TANK DIESEL ENGINE COMPRESSORS - TTD SERIES

Codice	Modello		Pressione		N. Cilindri	Potenza Nominale Motore		Aria Aspirata			Serb.	Voltaggio	Giri/min	Peso	Dimensione Imballo
Cod.	Model		Pressure		N. Cylinders	Nominal Motor Rating		Air outflow			Tank	Voltage	r.p.m.	Weight	Packaging Dimension
-	Series	Comp. Pump	bar	p.s.i.	Cil.	CV	Brand	lt./min.	CFM	m3/h	lt.	Volt/ph/hz	r.p.m.	kg.	cm
MOTOCOMPRESSORE A BENZINA - PETROL ENGINE COMPRESSORS															
42069	TTS 3465	K 18	11	160	2	6,5	Loncin	520	18,4	31,2	17+17 C	-	1250	70	69x88x88
42071	TTS 3490	K 28	11	160	2	9	Loncin	610	21,53	36,3	17+17 C	-	1300	118	69x88x88
42074	TTS 34110	K 30	11	160	2	11	Loncin	900	31,77	54,1	17+17 C	-	1250	140	69x88x88
MOTOCOMPRESSORE A DIESEL - DIESEL ENGINE COMPRESSORS															
42091	TTD 3460	K 28	11	160	2	6	Hailin	610	21,5	36,6	17+17 C	-	1300	160	69x88x88
42092	TTD 3496	K 30	11	160	2	9,6	Hailin	900	37,8	54,1	17+17 C	-	1300	165	69x88x88

serie/series:

MOTO KOMP

QUALITY
MADE IN ITALY

COMPRESSORI CON MOTORE A SCOPPIO A DIESEL E A BENZINA
PETROL AND DIESEL ENGINE COMPRESSORS

Max 96 dB(A)



MKD 42-150 E



MK 90-270 E

PETROL ENGINE COMPRESSORS - MK SERIES - 5,5/6,5 CV

Codice	Modello		Pressione		N. Cilindri	Potenza Nominale Motore		Aria Aspirata			Serb.	Voltaggio	Giri/min	Peso	Dimensione Imballo
Cod.	Model		Pressure		N. Cylinders	Nominal Motor Rating		Air outflow			Tank	Voltage	r.p.m.	Weight	Packaging Dimension
-	Series	Comp. Pump	bar	p.s.i.	Cil.	CV	Brand	lt./min.	CFM	m3/h	lt.	Volt/ph/hz	r.p.m.	kg.	cm
MOTOCOMPRESSORE A BENZINA - PETROL ENGINE COMPRESSORS															
42210	MK 55 - 100	K 11									100 C			95	49x127x88
42211	MK 55 - 150	K 11	10	145	2	5,5	Loncin	220	8	13	150 C	-	1200	104	51x149x92
42212	MK 55 - 200	K 11									200 C			120	53x158x101
42220	MK 55P - 100	K 17									100 C			95	49x127x88
42221	MK 55P - 150	K 17	10	145	2	5,5	Loncin	321	11	19	150 C	-	1200	104	51x149x92
42222	MK 55P - 200	K 17									200 C			120	53x158x101
42230	MK 65 - 100	K 18									100 C			95	49x127x88
42231	MK 65 - 150	K 18	10	145	2	6,5	Loncin	385	14	23	150 C	-	1200	104	51x149x92
42232	MK 65 - 200	K 18									200 C			120	53x158x101
MOTOCOMPRESSORE A DIESEL - DIESEL ENGINE COMPRESSORS															
42310	MKD 42 - 100 E	K 18									100 C			104	49x127x88
42311	MKD 42 - 150 E	K 18	10	145	2	4,2	Hailin	520	18	31	150 C	-	1200	120	51x149x92
42312	MKD 42 - 200 E	K 18									200 C			154	53x158x101

serie/series:

MOTO KOMP

QUALITY
MADE IN ITALY

COMPRESSORI CON MOTORE A SCOPPIO A DIESEL E A BENZINA
PETROL AND DIESEL ENGINE COMPRESSORS

Max 96 dB(A)



MKD 42-150 E



MK 90-270 E

PETROL ENGINE COMPRESSORS - MK SERIES - 9 CV

Codice	Modello		Pressione		N. Cilindri	Potenza Nominale Motore		Aria Aspirata			Serb.	Voltaggio	Giri/min	Peso	Dimensione Imballo
Cod.	Model		Pressure		N. Cylinders	Nominal Motor Rating		Air outflow			Tank	Voltage	r.p.m.	Weight	Packaging Dimension
-	Series	Comp. Pump	bar	p.s.i.	Cil.	CV	Brand	lt./min.	CFM	m3/h	lt.	Volt/ph/hz	r.p.m.	kg.	cm
MOTOCOMPRESSORE A BENZINA - PETROL ENGINE COMPRESSORS															
42240	MK 90 - 100 E	K 28	10	145	2	9	Loncin	610	22	37	100 C	-	1200	95	49x127x88
42241	MK 90 - 150 E	K 28	10	145	2	9	Loncin	610	22	37	150 C	-	1200	104	51x149x92
42242	MK 90 - 200 E	K 28	10	145	2	9	Loncin	610	22	37	200 C	-	1200	120	53x158x101
42243	MK 90 - 270 E	K 28	10	145	2	9	Loncin	610	22	37	270 C	-	1200	153	72x170x115
42244	MK 90 - 500 E	K 28	10	145	2	9	Loncin	610	22	37	500 C	-	1200	180	74x213x135
42250	MK 110 - 100 E	K 30	10	145	2	11	Loncin	900	32	54	100 C	-	1200	95	49x127x88
42251	MK 110 - 150 E	K 30	10	145	2	11	Loncin	900	32	54	150 C	-	1200	104	51x149x92
42252	MK 110 - 200 E	K 30	10	145	2	11	Loncin	900	32	54	200 C	-	1200	120	53x158x101
42253	MK 110 - 270 E	K 30	10	145	2	11	Loncin	900	32	54	270 C	-	1200	153	72x170x115
42254	MK 110 - 500 E	K 30	10	145	2	11	Loncin	900	32	54	500 C	-	1200	180	74x213x135
MOTOCOMPRESSORE A DIESEL - DIESEL ENGINE COMPRESSORS															
42320	MKD 60 - 100 E	K 28	10	145	2	5,5	Hailin	610	22	37	100 C	-	1200	104	49x127x88
42321	MKD 60 - 150 E	K 28	10	145	2	5,5	Hailin	610	22	37	150 C	-	1200	120	51x149x92
42322	MKD 60 - 200 E	K 28	10	145	2	5,5	Hailin	610	22	37	200 C	-	1200	154	53x158x101
42330	MKD 96 - 100 E	K 30	10	145	2	9,6	Hailin	900	32	54	100 C	-	1200	95	49x127x88
42331	MKD 96 - 150 E	K 30	10	145	2	9,6	Hailin	900	32	54	150 C	-	1200	104	51x149x92
42332	MKD 96 - 200 E	K 30	10	145	2	9,6	Hailin	900	32	54	200 C	-	1200	120	53x158x101
42333	MKD 96 - 270 E	K 30	10	145	2	9,6	Hailin	900	32	54	270 C	-	1200	153	72x170x115
42334	MKD 96 - 500 E	K 30	10	145	2	9,6	Hailin	900	32	54	500 C	-	1200	180	74x213x135

serie/series:

MOTO KOMP

QUALITY
MADE IN ITALY

COMPRESSORI CON MOTORE A SCOPPIO A DIESEL E A BENZINA
PETROL AND DIESEL ENGINE COMPRESSORS

POWERED by
HONDA™

Max 96 dB(A)



MK 90-270

PETROL ENGINE COMPRESSORS - MK ECO SERIES

Codice	Modello		Pressione		N. Cilindri	Potenza Nominale Motore		Aria Aspirata			Serb.	Voltaggio	Giri/min	Peso	Dimensione Imballo
Cod.	Model		Pressure		N. Cylinders	Nominal Motor Rating		Air outflow			Tank	Voltage	r.p.m.	Weight	Packaging Dimension
-	Series	Comp. Pump	bar	p.s.i.	Cil.	CV	Brand	lt./min.	CFM	m3/h	lt.	Volt/ph/hz	r.p.m.	kg.	cm
42210.1.H	MK ECO 55 - 100	NG 3	10	145	2	5,5	Honda	220	8	13	100 C	-	1200	95	49x127x88
42210.1.L	MK ECO 55 - 100						Loncin	220			100 C	-			
42212.1.H	MK ECO 55 - 200	NG 3	10	145	2	5,5	Honda	220	8	13	200 C	-	1200	120	53x158x101
42212.1.L	MK ECO 55 - 200						Loncin	220			200 C	-			
42233.1.H	MK ECO 65 - 270	NG 4	10	145	2	6,5	Honda	385	14	23	270 C	-	1200	140	72x170x115
42233.1.L	MK ECO 65 - 270						Loncin	385			270 C	-			
42243.1.H	MK ECO 90 - 270	NG 5	10	145	2	9	Honda	610	22	37	270 C	-	1200	153	72x170x115
42243.1.L	MK ECO 90 - 270						Loncin	610			270 C	-			
42253.1.H	MK ECO 110 - 270	NG 6	10	145	2	11	Honda	900	32	54	270 C	-	1200	153	72x170x115
42253.1.L	MK ECO 110 - 270						Loncin	900			270 C	-			
42254.1.H	MK ECO 110 - 500	NG 6	10	145	2	11	Honda	900	32	54	500 C	-	1200	180	74x213x135
42254.1.L	MK ECO 110 - 500						Loncin	900			500 C	-			



**POWERED by
HONDA™**

serie/series:



QUALITY
MADE IN ITALY

COMPRESSORI CON MOTORE A SCOPPIO A DIESEL E A BENZINA CON GENERATORE
PETROL AND DIESEL ENGINE COMPRESSORS WITH GENERATOR

POWERED by
HONDA™



GA B 270 7-770



GA B 270 7-770

Max 96 dB(A)

ENGINE COMPRESSOR WITH GENERATOR - GENAIR GA SERIES

Codice	Modello		Pressione		N. Cilindri	Potenza Generator		Potenza Nominale Motore		Aria Aspirata			Serb.	Voltaggio	Giri/min	Peso	Dimensione Imballo
Cod.	Model		Pressure		N. Cylinders	Generator Rating		Nominal Motor Rating		Air outflow			Tank	Voltage	r.p.m.	Weight	Packaging Dimension
-	Series	Comp. Pump	bar	p.s.i.	Cil.	Kva	kW	Cv	Brand	lt./min.	CFM	m3/h	lt.	Volt/ph/hz	r.p.m.	kg.	cm
MOTOCOMPRESSORE CON GENERATORE A BENZINA - PETROL ENGINE COMPRESSORS WITH GENERATOR																	
45100	GA - B 270 7-770	K 30	10	145	2	7	5,6	11	Loncin	700	24,6	43,7	270	230-400/50	1200	215	178x72x115
45100.H	GA - B 270 7-770 H	K 30	10	145	2	7	5,6	11	Honda	700	24,6	43,7	270	230-400/50	1200	215	178x72x115
MOTOCOMPRESSORE CON GENERATORE A DIESEL - DIESEL ENGINE COMPRESSORS WITH GENERATOR																	
45200	GA - D 270 7-770	K 30	10	145	2	7	5,6	9,6	Hailin	700	24,6	43,7	270	230-400/50	1200	215	178x72x115

serie/series:

GENAIR

**QUALITY
MADE IN ITALY**

COMPRESSORI CON MOTORE A SCOPPIO A DIESEL E A BENZINA CON GENERATORE
PETROL AND DIESEL ENGINE COMPRESSORS WITH GENERATOR

**POWERED by
HONDA™**



GA B 50 7-770

Max 96 dB(A)

ENGINE COMPRESSOR WITH GENERATOR - GENAIR GA SERIES

Codice	Modello	Pressione	N. Cilindri	Potenza Generator	Potenza Nominale Motore	Aria Aspirata	Serb.	Voltaggio	Giri/min	Peso	Dimensione Imballo
Cod.	Model	Pressure	N. Cylinders	Generator Rating	Nominal Motor Rating	Air outflow	Tank	Voltage	r.p.m.	Weight	Packaging Dimension
-	Series	Comp. Pump bar p.s.i.	Cil.	Kva kW	Cv Brand	lt./min. CFM m3/h	lt.	Volt/ph/hz	r.p.m.	kg.	cm
MOTOCOMPRESSORE CON GENERATORE A BENZINA - PETROL ENGINE COMPRESSORS WITH GENERATOR											
45300	GA - B 50 7-770	K 30	10 145	2 7 5,6	11 Loncin	700 24,6 43,7	50	230-400/50	1200	215	139x52x98
45300.H	GA - B 50 7-770 H	K 30	10 145	2 7 5,6	11 Honda	700 24,6 43,7	50	230-400/50	1200	215	139x52x98
MOTOCOMPRESSORE CON GENERATORE A DIESEL - DIESEL ENGINE COMPRESSORS WITH GENERATOR											
45400	GA - D 50 7-770	K 30	10 145	2 7 5,6	9,6 Hailin	700 24,6 43,7	50	230-400/50	1200	215	139x52x98



serie/series:

PROAIR

SUPER SILENT

COMPRESSORI A PISTONI ALTA PROFESSIONALITÀ MONOSTADIO - TRASMISSIONE DIRETTA COASSIALE
HIGH PERFORMANCE PISTON COMPRESSORS - COAXIAL DIRECT DRIVE

**QUALITY
MADE IN ITALY**



PSS 50/9

Max 40 dB(A)



PSS 100/50

SUPER SILENT PISTON COMPRESSORS - PSS SERIES

Codice	Modello		Pressione		N. Cilindri	Potenza Nominale Motore		Aria Aspirata			Serb.	Voltaggio	Giri/min	Peso	Dimensione Imballo
Cod.	Model		Pressure		N. Cylinders	Nominal Motor Rating		Air outflow			Tank	Voltage	r.p.m.	Weight	Packaging Dimension
-	Series	-	bar	p.s.i.	Cil.	Hp	kW	lt./min.	CFM	m3/h	lt.	Volt/ph/hz	r.p.m.	kg.	cm
89501	PSS 50/9		8	116	1	0,5	0,37	32	1,1	1,92	9	230/1/50-60	1400	21	34x34x50
89502	PSS50/24		8	116	1	0,5	0,37	32	1,1	1,92	24	230/1/50-60	1400	24	42x42x64
89503	PSS100/50		8	116	1	1	0,75	64	2,2	3,84	50	230/1/50-60	1400	45	90x50x80

PROAIR OILFREE

Silent

**QUALITY
MADE IN ITALY**



serie/series:

PROAIR OILFREE

SILENT

COMPRESSORI A PISTONI OILFREE ALTA PROFESSIONALITÀ MONOSTADIO - TRASMISSIONE DIRETTA COASSIALE
 OILFREE HIGH PERFORMANCE PISTON COMPRESSORS - COAXIAL DIRECT DRIVE

**QUALITY
MADE IN ITALY**

 **Max 52 dB(A)**



PS 14



PS 24

SILENT OILFREE PISTON COMPRESSORS - PS SERIES

Codice	Modello		Pressione		N. Cilindri	Potenza Nominale Motore		Aria Aspirata			Serb.	Voltaggio	Giri/min	Peso	Dimensione Imballo
Cod.	Model		Pressure		N. Cylinders	Nominal Motor Rating		Air outflow			Tank	Voltage	r.p.m.	Weight	Packaging Dimension
-	Series	-	bar	p.s.i.	Cil.	Hp	kW	lt./min.	CFM	m3/h	lt.	Volt/ph/hz	r.p.m.	kg.	cm
89601	PS 14		8	116	2	1	0,75	95	3,4	5,7	4	230/1/50-60	1400	25	63x42x56
89602	PS24		8	116	2	1,5	1,1	190	6,7	11	4	230/1/50-60	1400	31	63x42x56



serie/series:



OILFREE

SISTEMI PER LA PRODUZIONE D'ARIA COMPRESSA PER DENTISTI E LABORATORI
COMPRESSED AIR GENERATOR SYSTEMS FOR DENTISTS AND LABORATORIES

QUALITY
MADE IN ITALY



DOF 450



DOF SD 224

Max 62 dB(A)

DENTAL OILFREE PISTON COMPRESSORS - DOF SERIES

Codice	Modello		Pressione		N. Cilindri	Potenza Nominale Motore		Aria Aspirata			Serb.	Voltaggio	Giri/min	Peso	Dimensione Imballo
Cod.	Model		Pressure		N. Cylinders	Nominal Motor Rating		Air outflow			Tank	Voltage	r.p.m.	Weight	Packaging Dimension
-	Series	Dryer	bar	p.s.i.	Cil.	Hp	kW	lt./min.	CFM	m3/h	lt.	Volt/ph/hz	r.p.m.	kg.	cm
COMPRESSORE DENTALE - DENTAL COMPRESSORS															
89000	DOF 124	-	8	114	2	1	0,75	95	5,4	5,7	24	230/1/50-60	1400	63	40x43x54
89001	DOF224	-	8	114	2	2	1,5	220	7,7	13,2	24	230/1/50-60	1400	78	40x43x64
89002	DOF250	-	8	114	2	2	1,5	220	7,7	13,2	50	230/1/50-60	1400	114	43x43x82
89003	DOF450	-	8	114	2	2+2	1,5+1,5	380	13,3	22	50	230/1/50-60	1400	203	43x45x82
COMPRESSORE DENTALE SILENZIATO - DENTAL SILENT COMPRESSORS															
89010	DOF - S 124	-	8	114	2	1	0,75	95	5,4	5,7	24	230/1/50-60	1400	63	50x70x85
89011	DOF-S224	-	8	114	2	2	1,5	220	7,7	13,2	24	230/1/50-60	1400	78	50x70x85
89012	DOF-S250	-	8	114	2	2	1,5	220	7,7	13,2	50	230/1/50-60	1400	114	50x70x85
89013	DOF-S450	-	8	114	2	2+2	1,5+1,5	380	13,3	22	50	230/1/50-60	1400	203	50x70x85

serie/series:

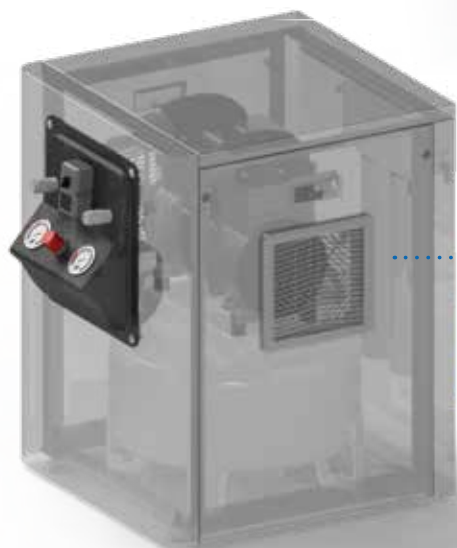
SISTEMI PER LA PRODUZIONE D'ARIA COMPRESSA PER DENTISTI E LABORATORI
 COMPRESSED AIR GENERATOR SYSTEMS FOR DENTISTS AND LABORATORIES

**QUALITY
 MADE IN ITALY**

 **Max 62 dB(A)**



DOF D 450



DOF SD 224



Codice	Modello		Pressione		N. Cilindri	Potenza Nominale Motore		Aria Aspirata			Serb.	Voltaggio	Giri/min	Peso	Dimensione Imballo
Cod.	Model		Pressure		N. Cylinders	Nominal Motor Rating		Air outflow			Tank	Voltage	r.p.m.	Weight	Packaging Dimension
-	Series	Dryer	bar	p.s.i.	Cil.	Hp	kW	lt./min.	CFM	m3/h	lt.	Volt/ph/hz	r.p.m.	kg.	cm
COMPRESSORE DENTALE CON ESSICCATORE - DENTAL COMPRESSORS WITH DRYER															
89100	DOF-D124	HSI12	8	114	2	1	0,75	95	5,4	5,7	24	230/1/50-60	1400	63	40x43x54
89101	DOF-D224		8	114	2	2	1,5	220	7,7	13,2	24	230/1/50-60	1400	78	40x43x64
89102	DOF-D250		8	114	2	2	1,5	220	7,7	13,2	50	230/1/50-60	1400	114	43x43x82
89103	DOF-D450		8	114	2	2+2	1,5+1,5	380	13,3	22	50	230/1/50-60	1400	203	43x45x82
COMPRESSORE DENTALE SILENZIATO CON ESSICCATORE - DENTAL SILENT COMPRESSORS WITH DRYER															
89110	DOF-SD124	HSI12	8	114	2	1	0,75	95	5,4	5,7	24	230/1/50-60	1400	63	50x70x85
89111	DOF-SD224		8	114	2	2	1,5	220	7,7	13,2	24	230/1/50-60	1400	78	50x70x85
89112	DOF-SD250		8	114	2	2	1,5	220	7,7	13,2	50	230/1/50-60	1400	114	50x70x85
89113	DOF-SD450		8	114	2	2+2	1,5+1,5	380	13,3	22	50	230/1/50-60	1400	203	50x70x85

COMPRESSORS PUMPS

**QUALITY
MADE IN ITALY**



serie/series:

COMPRESSORS PUMPS

GRUPPI COMPRESSORI MONOSTADIO
SINGLE-STAGE COMPRESSOR PUMPS

**QUALITY
MADE IN ITALY**



PXD 200



PNG 4

Codice	Modello		Pressione		N. Cilindri	Potenza Nominale Motore		Aria Aspirata			Giri Mot.	Voltaggio	Peso	Volano
Cod.	Model		Pressure		N. Cylinders	Nominal Motor Rating		Air outflow			Rev. Mot.	Voltage	Weight	Beltwheel
-	Comp. Pump	Trasmis.	bar	p.s.i.	Cil.	Hp	kW	lt./min.	CFM	m ³ /h	r.p.m	Volt/ph/hz	kg.	mm-inch-Type
GRUPPI COMPRESSORI MONOSTADIO - SINGLE STAGE COMPRESSORS PUMPS														
12000	PXD 200	Direct	8	116	1	2	1,5	233	8,2	14	2850	-	12,6	-
12009	PN2,8	Belt	10	131	1	2	1,5	253	8,9	15,2	1400	-	6	273-10,8-1A
12010	PNG2,8	Belt	10	131	1	2	1,5	253	8,9	15,2	1400	-	6	273-10,8-1A
12201	K11	Belt	10	131	2	2	1,5	260	9,2	15,6	1000	-	10	280-11,02-1A
12042	PXDV 300	Direct	10	145	1	3	2,2	360	12,7	21,6	2850	-	33	-
12014	PN3	Belt	10	131	1	3	2,2	315	11,1	18,9	1400	-	9	273-10,8-1A
12015	PNG3	Belt	10	131	1	3	2,2	315	11,1	18,9	1400	-	13	273-10,8-1A
12202	K17	Belt	10	131	2	3	2,2	465	16,4	27,9	1000	-	15	320-12,6-1A
12016	PN4	Belt	10	131	1	4	3	541	19,1	32,5	1400	-	12	363-14,3-1A
12017	PNG4	Belt	10	131	1	4	3	541	19,1	32,5	1400	-	15	363-14,3-1A
12203	K18	Belt	10	131	2	4	3	539	19	32,4	1100	-	17	320-12,6-1A

serie/series:

COMPRESSORS PUMPS

GRUPPI COMPRESSORI BISTADIO
DOUBLE-STAGE COMPRESSOR PUMPS

QUALITY
MADE IN ITALY



PNG 5



K 30

Codice	Modello		Pressione		N. Cilindri	Potenza Nominale Motore		Aria Aspirata			Giri Mot.	Voltaggio	Peso	Volano
Cod.	Model		Pressure		N. Cilinders	Nominal Motor Rating		Air outflow			Rev. Mot.	Voltage	Weight	Beltwheel
-	Comp. Pump	Trasmis.	bar	p.s.i.	Cil.	Hp	kW	lt./min.	CFM	m ³ /h	r.p.m	Volt/ph/hz	kg.	mm-inch-Type
GRUPPI COMPRESSORI MONOSTADIO - SINGLE STAGE COMPRESSORS PUMPS														
12018	P 43/85	Belt	12	175	2	4	3	380	13,4	22,8	1100	-	18	300-11,8-1A
12019	P 52/105	Belt	12	175	2	5,5	4	606	21,4	36,4	900	-	32	350-13,8-1A
12022	PN5	Belt	11	159	2	5,5	4	606	21,4	36,4	1400	-	22	423-16,7-2A
12023	PNG5	Belt	11	159	2	5,5	4	606	21,4	36,4	1400	-	29	423-16,7-2A
12204	K 28	Belt	11	159	2	5,5	4	662	23,4	39,7	1290	-	26	385-15,16-1A
12024	PN6	Belt	11	159	2	7,5	5,5	798	28,2	47,9	1400	-	27	423-16,7-2A
12025	PNG6	Belt	11	159	2	7,5	5,5	798	28,2	47,9	1400	-	29	423-16,7-2A
12205	K 30	Belt	11	159	2	7,5	5,5	872	31	52,3	1150	-	38	400-15,75-1B
12026	PNV 10	Belt	11	159	4	10	7,5	1246	44,1	74,8	1150	-	37	423-16,7-2A
12027	PNGV 10	Belt	11	159	4	10	7,5	1246	44,4	74,8	1150	-	47	423-16,7-2A
12212	K 50	Belt	11	159	2	10	7,5	1240	43,8	74,4	1150	-	71	550-21,65-2B
12028	PNGV15	Belt	11	159	4	15	11	1505	53,2	90,3	1150	-	50	423-16,7-2A

serie/series:

COMPRESSORS PUMPS

GRUPPI COMPRESSORI BISTADIO ALTA PRESSIONE
HIGH PRESSURE DOUBLE-STAGE COMPRESSOR PUMPS

QUALITY
MADE IN ITALY



PNGV10-15b / PNGV15-15b



P52/105AP-16

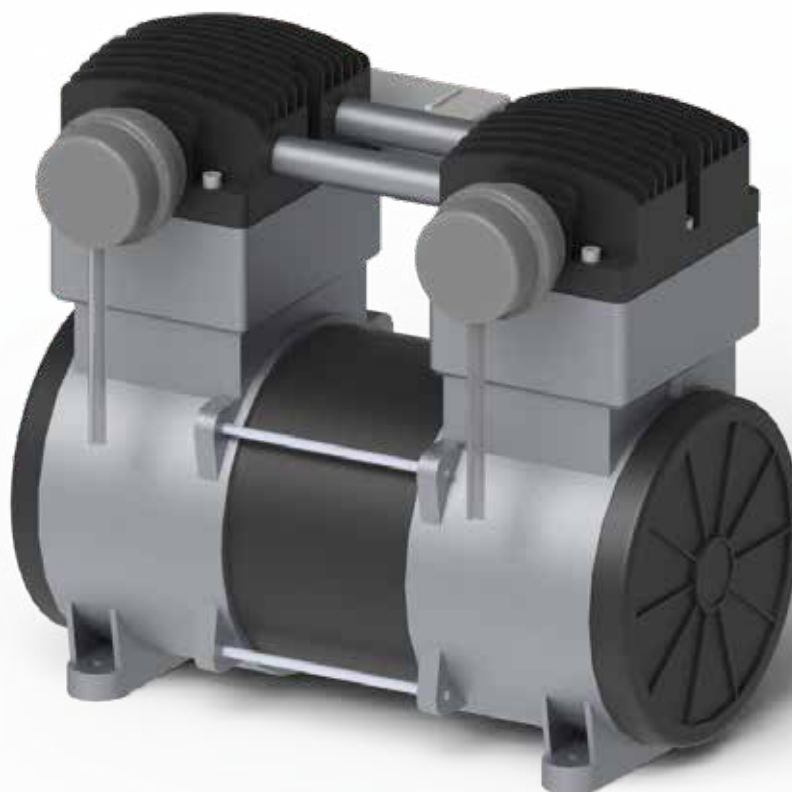
Codice	Modello		Pressione		N. Cilindri	Potenza Nominale Motore		Aria Aspirata			Giri Mot.	Voltaggio	Peso	Volano
Cod.	Model		Pressure		N. Cilinders	Nominal Motor Rating		Air outflow			Rev. Mot.	Voltage	Weight	Beltwheel
-	Comp. Pump	Trasmis.	bar	p.s.i.	Cil.	Hp	kW	lt./min.	CFM	m3/h	r.p.m	Volt/ph/hz	kg.	mm-inch-Type
GRUPPI COMPRESSORI ALTA PRESSIONE - HIGH PRESSURE COMPRESSORS PUMPS														
12023.1	PNG 5 - 15b	Belt	15	218	2	5,5	4	432	15,3	25,9	1000	-	26,2	423-16,7-2A
12025.1	PNG6-15b	Belt	15	218	2	7,5	5,5	570	20,1	34,2	1000	-	29	423-16,7-2A
12027.1	PNGV10-15b	Belt	15	218	4	10	7,5	942	33,3	56,5	1000	-	43,6	423-16,7-2A
12028.1	PNGV15-15b	Belt	15	218	4	15	11	1140	40,3	68,4	1000	-	46,2	423-16,7-2A
12029	P43/85AP 16	Belt	16	233	2	3	2,2	220	7,8	13,2	950	-	18	290-11,4-1A
12030	P43/85AP 20	Belt	20	292	2	4	3	190	6,7	11,4	850	-	18	290-11,4-1A
12031	P43/85AP 30	Belt	30	437	2	4	3	130	4,6	7,8	1050	-	18	290-11,4-1A
12032	P52/105AP 16	Belt	16	233	2	5,5	4	360	12,7	21,6	830	-	33	385-15,2-2A
12033	P52/105AP 20	Belt	20	292	2	7,5	5,5	400	14,1	24	970	-	33	385-15,2-2A
12034	P52/105AP 30	Belt	30	437	2	7,5	5,5	240	8,5	14,4	720	-	33	385-15,2-2A
12035	P60/110AP 16	Belt	16	233	2	7,5	5,5	580	20,5	34,8	820	-	63	385-15,2-2A
12036	P60/110AP 20	Belt	20	292	2	10	7,5	640	22,6	38,4	990	-	63	385-15,2-2A
12037	P60/110AP 30	Belt	30	437	2	10	7,5	400	14,2	24	800	-	63	500-19,7-2B
12039	P60/120AP 16	Belt	16	233	2	10	7,5	880	19,5	52,8	850	-	63	500-19,7-2B
12038	P60/110AP 35	Belt	35	510	2	12,5	9	550	31,2	33	920	-	100	500-19,7-2B
12040	P60/120AP 20	Belt	20	292	2	12,5	9	880	31,2	52,8	920	-	100	500-19,7-2B
12041	P60/120AP 30	Belt	30	437	2	12,5	9	775	27,4	46,5	760	-	100	500-19,7-2B

serie/series:

COMPRESSORS PUMPS

GRUPPI COMPRESSORI BISTADIO OILFREE
OILFREE DOUBLE-STAGE COMPRESSOR PUMPS

QUALITY
MADE IN ITALY



Codice	Modello		Pressione		N. Cilindri	Potenza Nominale Motore		Aria Aspirata			Giri Mot.	Voltaggio	Peso	Volano
Cod.	Model		Pressure		N. Cylinders	Nominal Motor Rating		Air outflow			Rev. Mot.	Voltage	Weight	Beltwheel
-	Comp. Pump	Trasmis.	bar	p.s.i.	Cil.	Hp	kW	lt./min.	CFM	m3/h	r.p.m	Volt/ph/hz	kg.	mm-inch-Type
GRUPPI COMPRESSORI SENZA OLIO - OIL-FREE COMPRESSORS PUMPS														
12120	C 90	-	8	116	2	1	0,75	95	3,4	5,7	1400	230/1/50-60	9	-
12121	C 196	-	8	116	2	1,5	1	190	6,7	11,4	1400	230/1/50-60	17	-
12122	C 200	-	8	116	2	2	1,5	220	7,7	13,2	1400	230/1/50-60	20	-

CONDIZIONI GENERALI DI VENDITA

GENERAL CONDITIONS OF SALE - CONDITIONS GÉNÉRALES DE VENTE - ALLGEMEINE VERKAUFSBEDINGUNGEN - CONDICIONES GENERALES DE VENTA

La merce indicata s'intende venduta alle condizioni generali di vendita indicate nella copia commissione, nella conferma d'ordine e riportate qui di seguito.

- 1) Salvo diversa pattuizione tutte le consegne sono effettuate franco stabilimento. Tale trasferimento di rischio esclude la sospensione o il ritardo nei pagamenti motivato da danni verificatisi durante il trasporto. Qualora la venditrice giudichi necessario l'imballaggio questo verrà fatturato al costo.
 - 1.1) La merce viaggia a rischio e pericolo del compratore anche se resa franco di porto.
- 2) L'ordine è considerato impegnativo per la venditrice solo dopo la conferma scritta di quest'ultima, mentre per il compratore lo è dal momento dell'ordine.
- 3) Prezzi, misure, pesi e tutti i dati tecnici presenti su listini, cataloghi, circolari o altro materiale pubblicitario (a meno che contrattualmente stabiliti) devono intendersi indicativi causa le fluttuazioni di prezzi dei mercati e le variazioni dovute a necessità di adeguamento tecnico ed estetico.
- 4) I termini di consegna devono intendersi indicativi e in nessun caso potrà essere richiesto alla venditrice il rimborso di eventuali danni per ritardata consegna, né il ritardo può costituire motivo di rescissione dell'ordine.
- 5) PAGAMENTO
 - 5.1) La merce passerà in proprietà del compratore soltanto con il versamento dell'ultima rata, intendendosi venduta con il patto di riservato dominio fino al pagamento dell'intero prezzo. Qualsiasi utilizzo o movimento della stessa merce prima dell'intero pagamento dovrà essere autorizzata dalla venditrice.
 - 5.2) Nel caso di mancato pagamento anche di una sola rata, la venditrice avrà la facoltà di esigere l'immediato pagamento di tutto il residuo prezzo, comprese le rate non scadute (art. 1186 C.C.) inoltre avrà la facoltà di rescindere il contratto e sospendere la fornitura, qualora questa fosse ancora in corso. La venditrice si riserva il diritto di pretendere gli eventuali danni subiti.
 - 5.3) Luogo di pagamento è la sede della venditrice.
- 6) Ogni circostanza sopravvenuta indipendentemente dalla volontà della venditrice e impediante la regolare esecuzione dell'ordine è considerata come giusto motivo di esonero dell'esecuzione stessa. Sono considerate "indipendenti dalla volontà" tutte le circostanze che non risultano da una colpa grave della venditrice. In tale caso la venditrice deve informare per iscritto il compratore all'inizio e alla fine del sussistere della causa. Nel caso in cui l'esecuzione dell'ordine dovesse rendersi impossibile nell'ambito di un ragionevole ritardo, ciascuna delle parti avrà la facoltà di risolvere il contratto mediante una semplice comunicazione scritta.
- 7) Il compratore deve verificare la conformità del materiale al ricevimento dello stesso e, in caso di reclamo, deve immediatamente avvisare la venditrice. Ogni reclamo deve pervenire alla venditrice nei termini di 14 giorni dalla data di spedizione. Oltre tale termine non verranno accettati reclami. Ogni difetto riscontrato dopo il trasferimento del rischio non può essere reclamato.
- 8) Nel caso in cui il compratore non ritiri la merce nei termini stabiliti dall'ordine, per qualsiasi causa non dipendente dalla venditrice, dovrà corrispondere comunque l'importo pattuito per l'intera fornitura, compresa la parte eventualmente ancora da consegnare. Al compratore saranno addebitati i costi di immagazzinaggio, di rischio e finanziari e quant'altro sostenuto per mantenere le merci per la spedizione. Vanno inoltre gli eventuali aumenti del listino nel frattempo intervenuti. Sono fatti salvi gli ulteriori danni che la venditrice dovesse sostenere.
- 9) Nel caso di risoluzione del contratto per volontà del compratore, questi è tenuto all'immediato versamento di una somma pari al 30% della somma pattuita e ciò ai sensi dell'art. 1382 Cod. Civ. senza alcun pregiudizio al diritto per il risarcimento degli eventuali danni subiti dalla medesima venditrice.
- 10) GARANZIA
 - 10.1) Vista la particolarità dei beni venduti la venditrice li garantisce nelle condizioni normali d'uso come da catalogo per un periodo di 24 mesi dalla data di consegna, durante il quale si impegna a sua insindacabile scelta a sostituire o riparare i pezzi riconosciuti difettosi.
 - 10.2) Sono esclusi dalla garanzia:
 - parti elettriche e automatismi di controllo,
 - difetti dovuti a cause di forza maggiore,
 - ogni componente della merce nel caso in cui si rilevi una violazione o una modificazione fatta da personale non autorizzato della venditrice,
 - difetti derivanti da un'installazione imperfetta,
 - difetti derivanti da una insufficiente manutenzione o pulizia,
 - difetti derivanti da inabilità d'uso,
 - difetti derivanti da vizi, da eccesso o mancanza, da distribuzione di corrente elettrica o d'acqua o da cattivo funzionamento di apparecchiature ausiliarie o sussidiarie fornite da terzi,
 - difetti provocati durante il trasporto, lo scarico e l'installazione.
 - 10.3) Eventuali malfunzionamenti e anomalie dovranno essere comunicati entro otto giorni dalla data della loro rilevazione. Sarà premura della venditrice inviare in porto franco-destino i materiali in sostituzione fermo restando l'obbligo da parte del compratore di restituire, sempre franco porto al destino, i materiali difettosi. Nel caso in cui si renda necessario l'intervento diretto della venditrice saranno a carico del compratore le spese di viaggio, trasferimento, e manodopera.
 - 10.4) I reclami concernenti la garanzia non modificano in alcun modo i termini di pagamento. Pertanto il compratore non può assolutamente sospendere o ritardare i pagamenti.
 - 10.5) La richiesta di intervento presentata alla venditrice sarà presa in considerazione solamente se sarà accompagnata dal numero di matricola del prodotto venduto e dalla data della fattura di acquisto e da ogni altra informazione necessaria per la corretta identificazione del prodotto.
 - 10.6) La garanzia cessa automaticamente se il compratore si pone nelle condizioni del paragrafo 5.2.
 - 10.7) In nessun caso la venditrice potrà essere ritenuta responsabile dei danni ai prodotti del compratore, derivanti direttamente o indirettamente dai difetti della merce venduta.
- 11) Salvo quanto stabilito ai punti 7 e 10 nessuna altra responsabilità potrà essere addossata alla venditrice. Si conviene espressamente che il compratore non potrà avanzare pretese per danni a persone o cose o per danni dovuti a lucro cessante.
- 12) Con il presente ordine il committente rinuncia a tutte le eventuali diverse condizioni contenute nelle lettere, note o formulate verbalmente o per iscritto da agenti o collaboratori della venditrice. Qualsiasi modifica delle presenti condizioni o aggiunta di altre dovrà essere fatta per iscritto.
- 13) Tribunale competente per qualsiasi controversia è il foro di Gorizia salva la facoltà della venditrice di adire il foro del compratore.
- 14) Si dichiara di aver presa attenta visione delle clausole a stampa contenute nella presente Commissione, di accettarle e di approvare specificatamente anche le clausole 1,2,4,5,6,8,9,10,11,12,13. Si approva inoltre in ogni parte il patto di riservato dominio di cui al punto 5.1.

Il presente listino sostituisce tutti i precedenti.

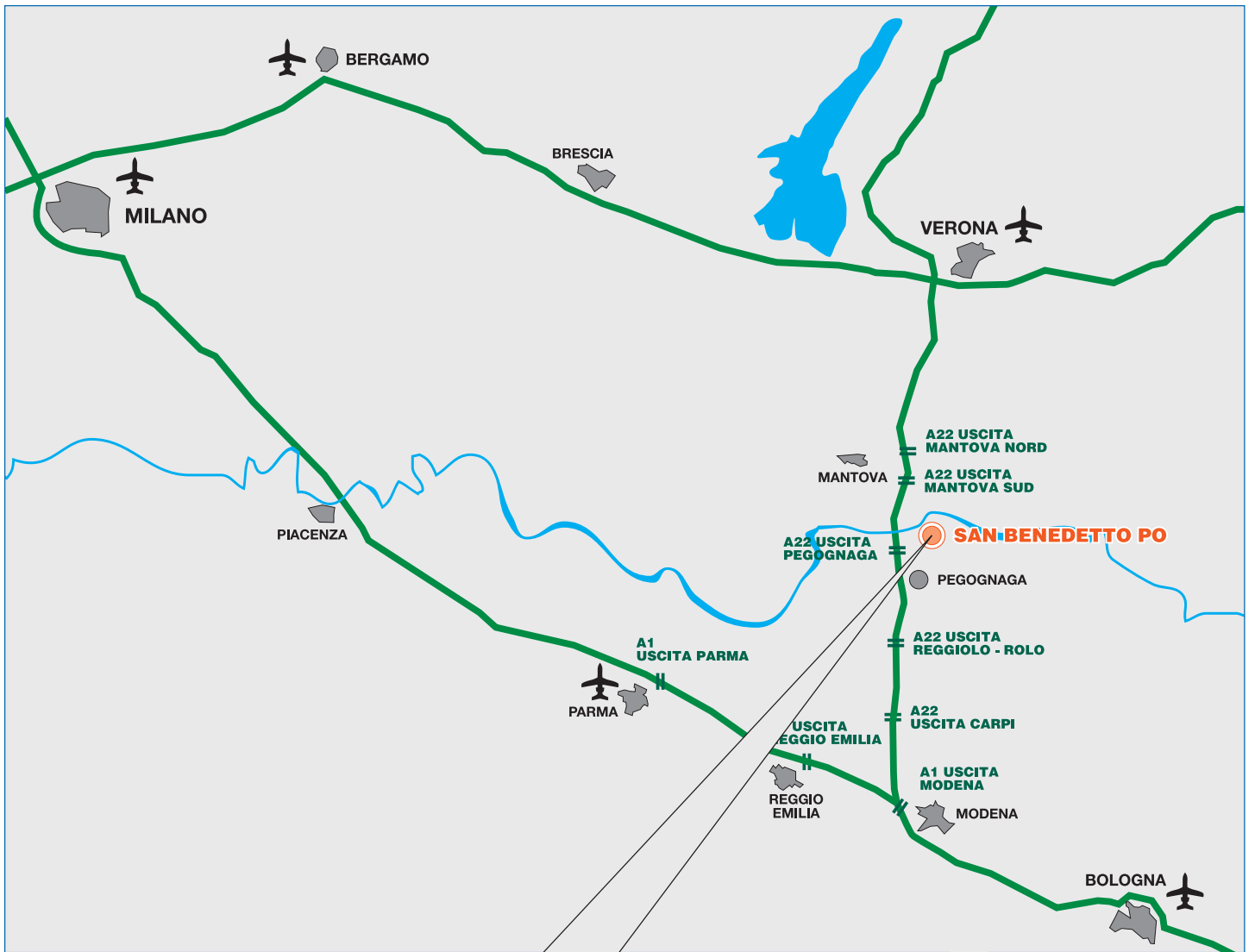
"LA PADANA snc" si riserva il diritto di modificare i dati senza preavviso.

The goods specified are sold in accordance to the general conditions of sale indicated in the order form, in the confirmation of the order and hereafter indicated.

- 1) Unless otherwise agreed upon by the parties, all the deliveries shall occur ex factory. This risk transfer excludes the suspension or the delay of payment, motivated with damage occurred during the transport. If the seller considers necessary a special packing, this will be invoiced at cost price.
 - 1.1) The goods travel at buyer's risk, even if delivered free port.
- 2) The order is binding for the seller only after its confirmation in writing, whereas for the buyer it is binding after ordering.
- 3) Prices, measurements, weight and technical data specified in the price lists, catalogues, circulars or other advertising material (except if contractually defined) must be considered only indicative, due to market price fluctuation and due to modifications made for technical and aesthetic adaptation needs.
- 4) The specified delivery terms are only indicative and in any case the buyer can neither claim any reimbursement for damages due to late delivery nor can a delivery delay be the cause for the avoidance of the contract.
- 5) PAYMENT
 - 5.1) The goods are sold with retention of title and remain supplier's property until the buyer has paid for them in full. The property of the goods supplied shall pass to the buyer only when the last instalment will be paid. Any utilisation or handling of the goods before paying them in full shall be authorised by the seller.
 - 5.2) In case that also only one instalment won't be paid, the seller shall claim the immediate payment of the whole residual price, including the due instalments (art. 1186 C.C.). Furthermore the seller will have the right to avoid the contract and suspend the supply, in case that the agreement will be still in phase of execution. The seller will be entitled to claim any damage occurred.
 - 5.3) The place of payment is the seller's seat.
- 6) Any circumstance occurred independently of the seller's willingness and preventing him from the regular execution of the order is considered a right reason to exempt him from its execution. Are considered "independent of the seller's willingness" all the circumstances that are not caused by the seller's heavy guilt. In such a case the seller must inform the buyer in writing at the beginning and at the end of the existence of the reason. In case that it would be impossible to execute the order with a reasonable delay, every party will have the right to avoid the contract with a simple communication in writing.
- 7) The buyer must verify the conformity of the material on receipt of goods and, in case of complaint, he must inform the seller immediately. Any claim must be brought to the attention of the seller within 14 days from the date of shipping. Beyond this term any claim will not be accepted. Any defect found after the risk transfer can't be complained.
- 8) If the buyer, due to any cause which doesn't depend on the seller, doesn't collect the goods within the contractual terms, he will have to pay the complete price of the supply, including the part eventually still to be delivered. The buyer will be charged with the storage, risk and financial costs as well as with any other cost occurred in order to keep the goods ready for shipping. Furthermore there will be valid eventual price rises occurred in the meantime. Further damages that the seller has suffered are not included.
- 9) In case of avoidance of the contract due to buyer's willingness, he must immediately pay 30% of the price agreed upon, in accordance with art. 1382 (C.C.), without any prejudice about the right to claim damages eventually occurred to the seller.
- 10) WARRANTIES
 - 10.1) Considering the particularity of the goods sold, the seller warrants them for the normal conditions of use, as specified in the catalogue, during the period of 24 months from date of delivery. During this period the seller grants, at its only discretion, to replace or to repair the parts that would be acknowledged as faulty.
 - 10.2) The warranty doesn't include:
 - electric parts and checking automatism's,
 - defects due to major force,
 - any component of goods, if violation or modification was made by personnel which was not authorised by the seller,
 - defects arising from imperfection installation,
 - defects arising from an insufficient maintenance or cleaning,
 - defects arising from inability during use,
 - defects arising from faults, excess or lack of distribution of electric power and water or arising from malfunction of auxiliary or subsidiary instruments supplied by third parties,
 - defects caused during transportation, unloading or installation.
 - 10.3) Eventual malfunctions and anomalies must be communicated within 8 days from the date of bearing. The seller shall send free of charge the materials to be substituted and the buyer shall return free of charge the faulty materials. In case that a seller's direct intervention will be necessary, the cost of travelling, transfer and labour will be charged to the buyer.
 - 10.4) The warranty claims don't modify the payment terms and therefore the buyer can't suspend or modify the payments.
 - 10.5) The intervention's request will be taken into consideration by the seller only if it will be accompanied by the part number of the product sold, by the date of the invoice and by any other information necessary to identify the product.
 - 10.6) The warranty stops automatically if the buyer will be in any of the conditions specified in section 5.2.
 - 10.7) The seller shall not be liable for any damage occurred to the buyer's products, arising directly or indirectly from defects of the goods sold.
- 11) Except what established in section 7 and 10, any other responsibility can burden the seller. It's expressly agreed upon that the buyer can't claim any damages to people or thing or loss of profit.
- 12) With this order the buyer renounces to all the different conditions eventually contained in the letters or notes done in writing or verbally by agents or collaborators of the seller. Any modification of the present conditions or additions of other shall be done in writing.
- 13) The Gorizia (Italy) competent law court shall have jurisdiction for any claim arising out or in connection with this agreement, except the faculty the seller has to apply to the court of the buyer.
- 14) The parties declare that all the printed clauses included in this order form have been carefully examined, that they accept them and that they specifically approve also the sections 1, 2, 4, 5, 6, 8, 9, 10, 11, 12, 13. The parties furthermore declare to fully approve the retention of title as specified in the section 5.1.

This price list replaces all previous ones.

"LA PADANA" reserves itself the right to change the above data without prior notice.



A22 USCITA MANTOVA SUD

Via Maestri del Lavoro

SS413 - Strada Statale Romana Nord

A22 USCITA PEGOGNAGA

Z.I. SAN BENEDETTO PO



LA PADANA di Folloni Flavio e C. s.n.c.

Uff. e Stab.: Via Maestri del Lavoro, 1 - 46027 **SAN BENEDETTO PO (MN)** - ITALIA
Tel. +39.0376.558282 - Tel. +39.0376.615166 - Fax +39.0376.558301

www.lapadana.it - E-mail: info@lapadana.it